

Dell™ RapidPower Power  
Distribution Units  
**Installation Guide**

Guide d'installation  
Installationsanleitung  
取り付けガイド  
Guía de instalación



Dell™ RapidPower Power  
Distribution Units  
**Installation Guide**

## Notes, Notices, and Cautions



**NOTE:** A NOTE indicates important information that helps you make better use of your computer.



**NOTICE:** A NOTICE indicates either potential damage to hardware or loss of data and tells you how to avoid the problem.



**CAUTION:** A CAUTION indicates a potential for property damage, personal injury, or death.

---

**Information in this document is subject to change without notice.**

**© 2007 Dell Computer Corporation. All rights reserved.**

Reproduction in any manner whatsoever without the written permission of Dell Computer Corporation is strictly forbidden.

Trademarks used in this text: *Dell* and the *DELL* logo are trademarks of Dell Computer Corporation.

Other trademarks and trade names may be used in this document to refer to either the entities claiming the marks and names or their products. Dell Computer Corporation disclaims any proprietary interest in trademarks and trade names other than its own.

# Contents

<b>Caution: Safety Instructions</b> . . . . .	<b>5</b>
General Precautions . . . . .	5
Precautions for Rack-Mountable Products . . . . .	6
<b>PDU Models</b> . . . . .	<b>7</b>
<b>PDU Kit Components</b> . . . . .	<b>8</b>
<b>Recommended Tools</b> . . . . .	<b>9</b>
<b>Installation Tasks</b> . . . . .	<b>9</b>
Determining the AC Current Load . . . . .	9
Installing PDUs in a Rack . . . . .	9
Attaching the Ground Wire . . . . .	15
Cabling the PDUs . . . . .	16
<b>PDU Configurations and Technical Specifications</b> . . . . .	<b>22</b>
Index . . . . .	25





This document describes how to install Dell™ RapidPower power distribution units (PDUs) in 42-unit (U) and 24-U rack cabinets. The PDUs come in two basic types: standard PDUs, which have locking inlet power cord connectors, and power strips, which do not require a locking connector.


The power strips and PDUs are installed either in the 0-U mounting area (the unoccupied area of the rack between the side panels and component mounting space) using the mounting brackets that come attached to the units or in a 1-U configuration using the mounting brackets provided with your kit.

## **Caution: Safety Instructions**

Use the following safety guidelines to help ensure your own personal safety and to help protect your system and system components from potential damage.

Throughout this safety section, the caution icon () is used to indicate cautions and precautions that you need to review and follow. For complete safety and regulatory information, see the *Product Information Guide* that shipped with your system. Warranty information might be included in this document or as a separate document.

 **CAUTION: Your PDU is safety-certified as a component for use in a rack cabinet. It is your responsibility to ensure the final combination of PDU and rack cabinet complies with all applicable safety standards and local electrical code requirements. The manufacturer disclaims all warranties and liability in connection with such combinations.**

 **CAUTION: All load devices (computer equipment) produce leakage current. It is recommended that you use locking plugs for supply connections. If locking plugs are not used, do not exceed 3.5 mA per supply connection. Have a qualified electrician ensure proper grounding.**

## **General Precautions**

Systems are considered to be components in a rack. Thus, "component" refers to any system as well as to various peripherals or supporting hardware.

Observe the following general precautions for installing your PDU:

- Observe and follow service markings. Do not service any product except as explained in your system documentation. Opening or removing covers that are marked with the triangular symbol with a lightning bolt may expose you to electrical shock. Components inside these compartments should be serviced only by a trained service technician.
- Ensure that the electrical source power circuit complies with all local and national electrical codes and regulations.
- If any of the following conditions occur, unplug the product from the electrical outlet and replace the part or contact your trained service provider:
  - The power cord, extension cable, or plug is damaged.
  - An object has fallen into the product.
  - The product has been exposed to water.
  - The product has been dropped or damaged.
  - The product does not operate correctly when you follow the operating instructions.

- Use the correct external power source. Operate the product only from the type of power source indicated on the electrical ratings label. If you are not sure of the type of power source required, consult your service provider or local power company.
- Use only power cords provided with your PDU or system.
- Power cords used to connect a component to your PDU must be rated for the voltage and current marked on the component's electrical rating label. The voltage and current rating of the power cord should be greater than the rating marked on the component.
- To help prevent electric shock, plug the PDU inlet power cords into properly grounded electrical outlets. These power cords are equipped with three-prong plugs to help ensure proper grounding. Do not use adapter plugs or remove the grounding prong from a power cord. Do not use an extension cable.
- Ensure that each extension cable and power strip total ampere rating for all products plugged into the extension cable or power strip comply with all local and national electrical codes and regulations.
- Position system cables and power cords carefully; route system cables and the power cord and plug so that they cannot be stepped on or tripped over. Be sure that nothing rests on your system components' cables or power cord.
- Do not modify PDUs or power cords. Consult a licensed electrician or your power company for site modifications. Always follow the local and national electrical codes and regulations for your country or region.
- PDUs that attach directly to a main AC source by terminal block connections must be installed by a licensed electrician. Always follow the local and national electrical codes and regulations for your country or region.

### **Precautions for Rack-Mountable Products**

Observe the following precautions for rack stability and safety. See the rack installation documentation accompanying the rack for specific warning and/or caution statements and procedures.

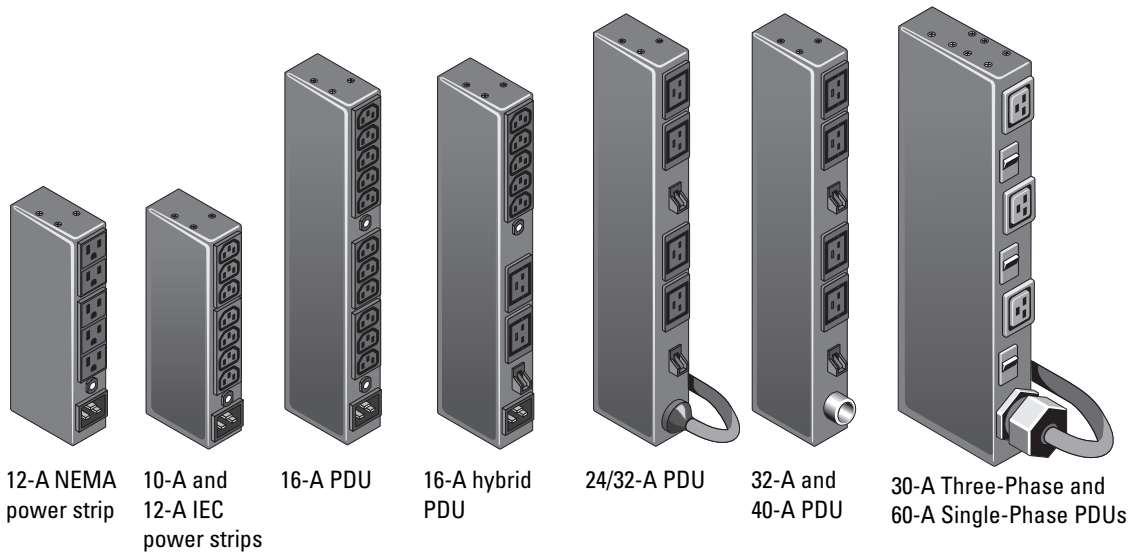
- Before working on a rack, ensure that your rack has been installed safely according to the instructions in your rack installation documentation.
- Do not step on or stand on any system or component when servicing other systems or components in a rack.



## PDU Models

The power strips and PDUs provide power solutions that utilize regionalized inlet and outlet plug options. There are ten basic configurations, shown in Figure 1-1: a 12-A NEMA power strip, a 10-A IEC power strip, a 12-A IEC power strip, a 16-A PDU, a 16-A hybrid PDU, a 24/32-A PDU, a 32-A PDU, a 40-A PDU, a 30-A Three-Phase PDU, and a 60-A Single-Phase PDU. For specific configuration information for each model and option, see "PDU Configurations and Technical Specifications."

**Figure 1-1. PDU Models**



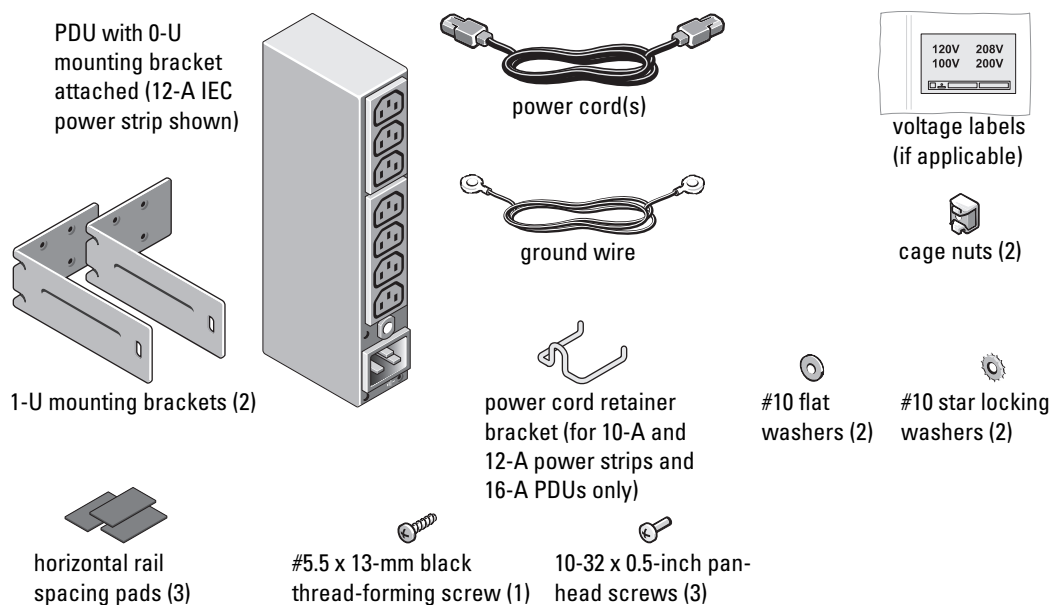
**NOTE:** Dell recommends that you label your PDU models and power strips with the corresponding voltages. Locate the packet of voltage labels included in your rack kit contents and select the corresponding label to affix to the appropriate model. See Figure 1-2 for kit contents and Figure 1-8 for recommended label orientation.

# PDU Kit Components

The kit components (shown in Figure 1-2) are the same for all PDU models.

- One PDU (with the 0-U mounting bracket attached)
- Power cords (of various lengths and types depending on the model)
- Two 1-U mounting brackets
- Three 10-32 x 0.5-inch pan-head screws
- Two #10 flat washers
- One #5.5 x 13-mm black thread-forming screw
- Two #10 star locking washers
- Three horizontal rail spacing pads
- Two cage nuts
- One ground wire
- One power cord retainer bracket (for 10-A and 12-A power strips and 16-A PDUs only)
- One package of voltage labels for customers for identifying voltages on PDUs and power strips (if applicable)

**Figure 1-2. Kit Contents**



## Recommended Tools

- #2 Phillips-head screwdriver
- Cage nut installation tool (for 1-U installation only)


## Installation Tasks

- 1 Determining the AC current load
- 2 Installing PDUs in a rack
- 3 Attaching the ground wire
- 4 Cabling the PDUs

### Determining the AC Current Load


Before you install a PDU in your rack, you must ensure that the total power requirements of all the systems you plan to connect to this PDU are within the PDU's maximum current specification. You may require multiple PDUs to properly protect your installed rack systems and equipment.

The maximum current requirements are found in the *User's Guide* for most rack-mountable products. To find the total current value, add the maximum current values for all components that you intend to plug into the PDU. The total current value must not exceed the maximum current rating marked on the side of the PDU. For example, if your PDU has a maximum current rating of 16 A, the total combined current for all component power cord connectors plugged into the PDU must not exceed 16 A.

 **NOTICE:** The maximum AC current load that a single PDU can support is specified on its label. Any load greater than that specified will cause the circuit breaker in the PDU to trip, disconnecting the power. Multiple PDUs must be installed if the electrical load exceeds the maximum current rating for a single PDU.

### Installing PDUs in a Rack

You can install the PDU in either a horizontal or vertical orientation in a rack. When mounted horizontally at the back of the rack, the PDU occupies 1 U of rack component mounting space. When mounted vertically or horizontally on the side of the rack, the PDU does not occupy any rack component mounting space. This installation method is referred to as 0-U mounting because the unit is secured on separate rails on the side of the rack cabinet.

 **NOTE:** Due to variations in rack design, the 0-U mounting position is not an option for all racks. The 1-U mounting position is an option for all racks that meet the specifications of the American National Standards Institute (ANSI)/Electrical Industries Association (IEC) standard ANSI/EIA-310-D-92, International Electrotechnical Commission (IEC) 297, and Deutsche Industrie Norm (DIN) 41494.

## Installing PDUs in the 0-U Mounting Position

The outer vertical rails of Dell 42-U and 24-U racks contain cutouts that allow access to the PDU's back outlet connectors. When installing a PDU in a rack with these cutouts, position the PDU so that the back outlet connector is accessible through the cutout (see Figure 1-3).



**NOTE:** Not all 0-U vertical-rail mounting positions have a cutout to access the back outlet connectors. Additionally, only one of the 16-A PDU's back outlet connectors will be accessible through the rail cutout (see Figure 1-3).

The recommended 0-U mounting position for the 10-A and 12-A power strips, the 16-A PDU, the 30-A Three-Phase PDU, and the 60-A Single-Phase PDU is on the outer vertical rail at the back of the rack. Up to six 10-A or 12-A power strips and up to four 16-A PDUs, 30-A Three-Phase PDUs, or 60-A Single-Phase PDUs can be mounted on each outer vertical rail of a 42-U rack. One 16-A PDU, 30-A Three-Phase PDU, or 60-A Single-Phase PDU can also be mounted on each of the outer horizontal rails of a 42-U rack. Up to three 10-A or 12-A power strips and up to two 16-A PDUs, 30-A Three-Phase PDUs, or 60-A Single-Phase PDUs can be mounted on each outer vertical rail of a 24-U rack. See Figure 1-3 for the 0-U mounting position options on a 42-U rack.

The recommended 0-U mounting position for 24/32-A, 32-A, and 40-A PDUs is on the outer horizontal rails of a 42-U rack and on the back vertical rails of a 24-U rack. See Figure 1-3 for the 0-U mounting position options on a 42-U rack.

To install a PDU in the 0-U space on the side of your rack, perform the following steps:

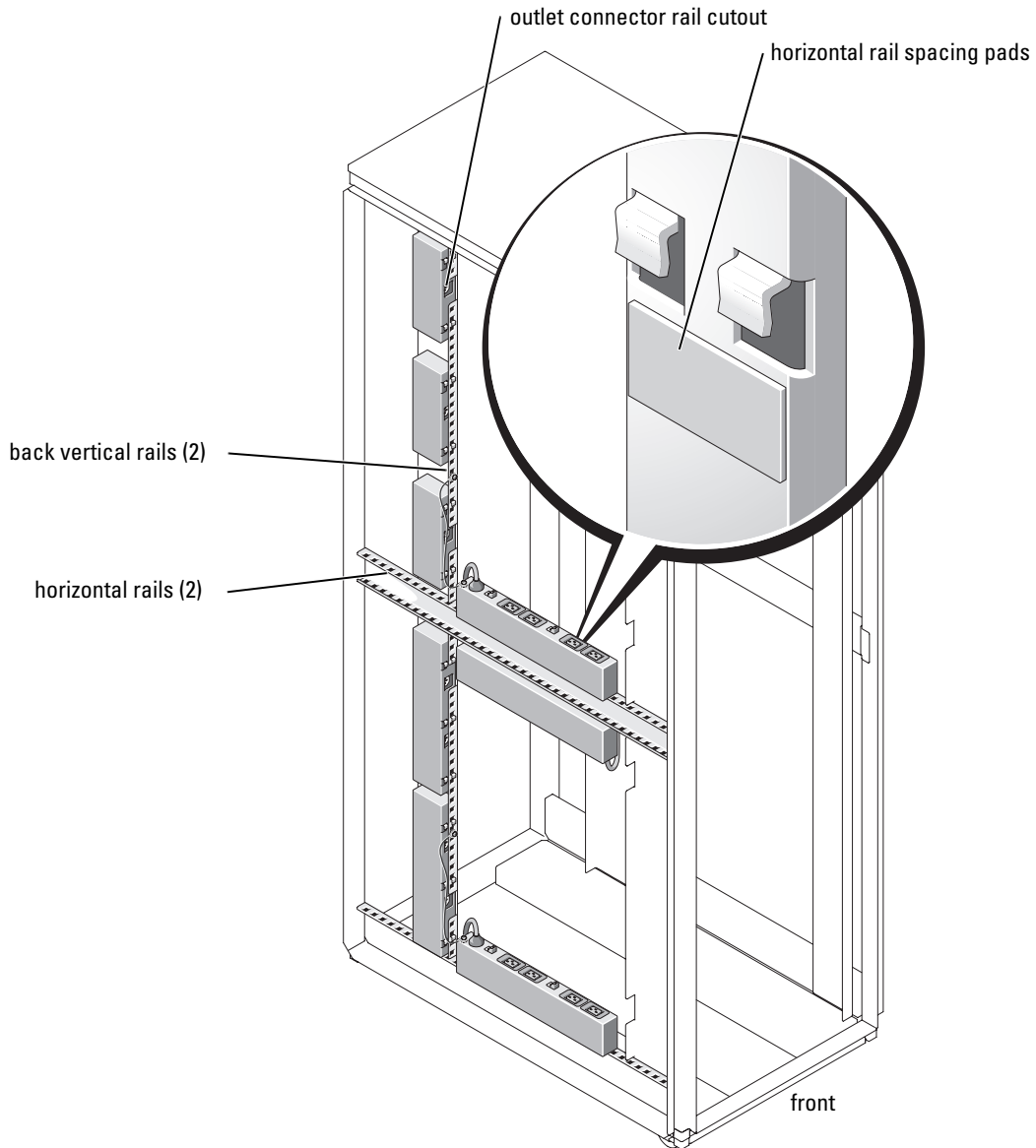
- 1 Remove the side panel(s) from the rack.  
See the user documentation provided with the rack for instructions on removing the side panels.
- 2 Identify the location for the PDU in either the vertical or horizontal rail position that is closest to the systems to which it will supply power.

Ensure that all power cords that you intend to connect to the PDU can reach the PDU position you have selected.



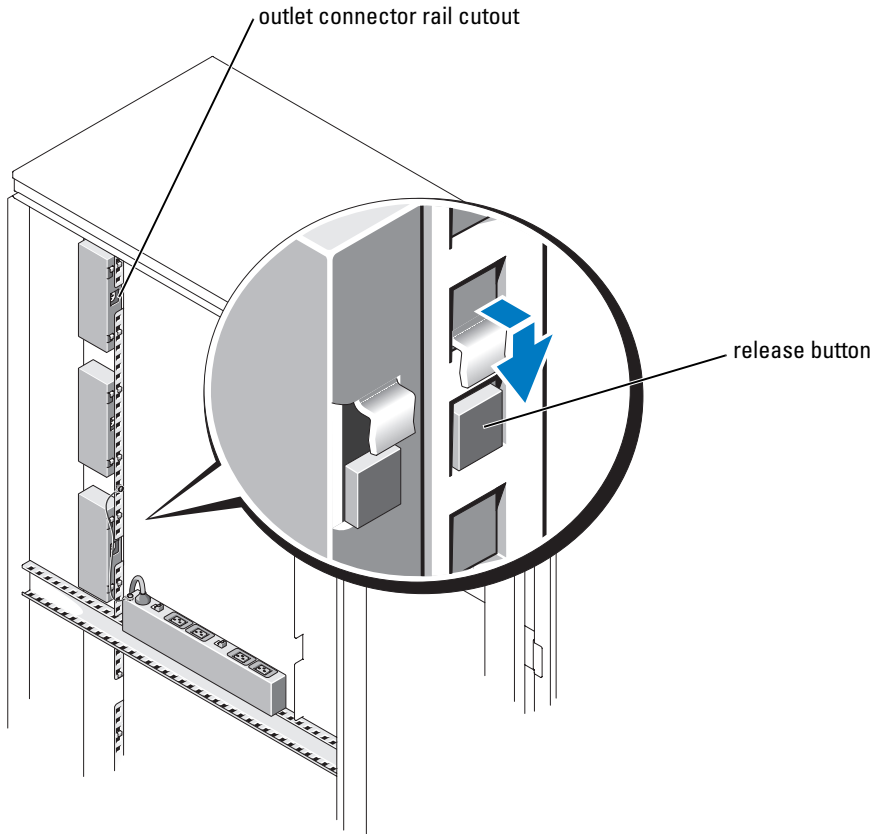
**NOTE:** If you are installing a PDU on the horizontal rail, you must affix the self-adhesive spacing pads to the back of the PDU in order to ensure a secure fit. Place one spacing pad next to each pair of mounting hooks (see Figure 1-3).

**Figure 1-3. PDU Systems 0-U Mounting Positions**



- 3 Position the PDU so that the mounting hooks enter the square holes on the vertical or horizontal rail.
- 4 Push down on the PDU until the mounting hooks seat in the square holes and the release button pops out and clicks (see Figure 1-4).

**Figure 1-4. PDU Installation (0-U Vertical Position)**



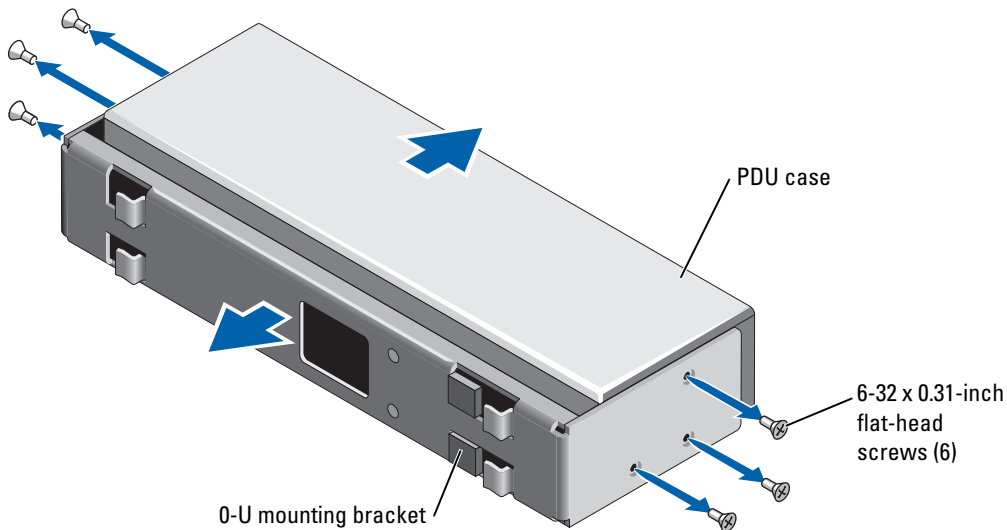
### **Installing PDUs in the 1-U Mounting Position**

The recommended 1-U mounting position for a PDU is at the back of the rack as close as possible to the installed equipment that it will power. The installation brackets can be attached to the sides of the PDU for either a back-facing or front-facing orientation. Whichever orientation you use, be sure the PDU placement allows enough cable slack so that each rack-installed system connected to it can slide freely for servicing.

To install a PDU horizontally in the 1-U space at the back of your rack, perform the following steps:

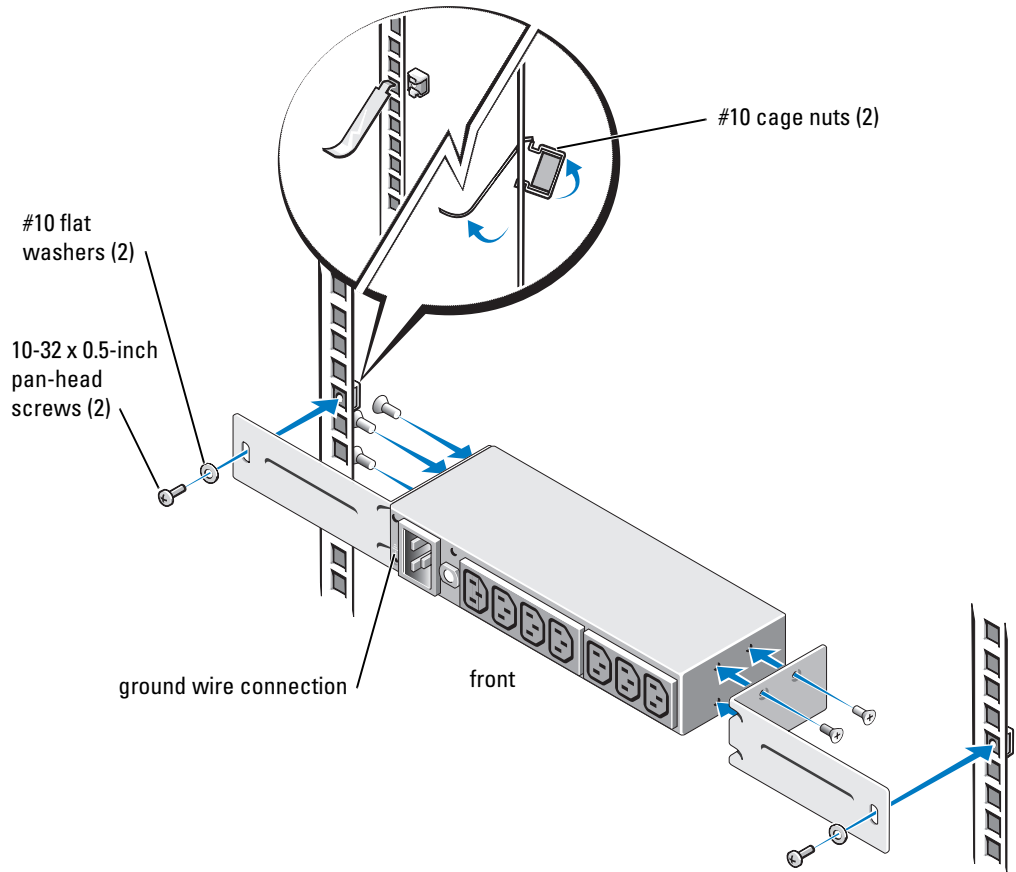
- 1 Open the front and back doors of the rack cabinet.
- 2 Identify and mark the location for the PDU in the lowest single-unit (1 U) position in which it can be installed or in the position that is closest to the systems to which it will supply power.  
Ensure that all power cords that you intend to connect to the PDU can reach the PDU location you have selected.
- 3 Remove the 0-U mounting bracket from the PDU case by removing the six 6-32 x 0.31-inch flat-head screws at the ends of the PDU case.  
Save these screws to use in attaching the 1-U mounting brackets in step 4 (see Figure 1-5).

**Figure 1-5. Removing the 0-U Mounting Bracket**



- 4 Secure the two 1-U mounting brackets to the PDU case with the screws you removed in step 3 making a tight connection (torque value is approximately 6-8 in-lbs), as shown in Figure 1-6.
- 5 Install the cage nuts in the second holes of the selected 1-U position on the rails.
- 6 Position the PDU and secure the unit to the rails with screws and washers, making a tight connection (torque value is approximately 12-16 in-lbs), as shown in Figure 1-6.


**Figure 1-6. PDU Installation (1-U Horizontal Position)**






## Attaching the Ground Wire


- 1 Connect the ground wire to the PDU by inserting the 10-32 x 0.5-inch screw through the eyelet on the ground wire and then through the star washer, and then attach the screw to the ground wire connection on the front of the PDU (see Figure 1-6).

 **NOTE:** Use only the PDU's threaded grounding hole marked with the ground symbol. This hole is at the end of the PDU next to the inlet connector (see Figure 1-6).


Secure the screw so that the star washer makes tight contact with the bare metal of the PDU case.

 **NOTE:** A tight connection is required to ensure that the star washer contacts bare metal through the paint on the PDU case (torque value is approximately 12-16 in-lbs).

- 2 Connect the free end of the PDU ground wire to the rack frame by inserting the thread-forming screw through the eyelet on the ground wire and then through the star washer (see Figure 1-7).

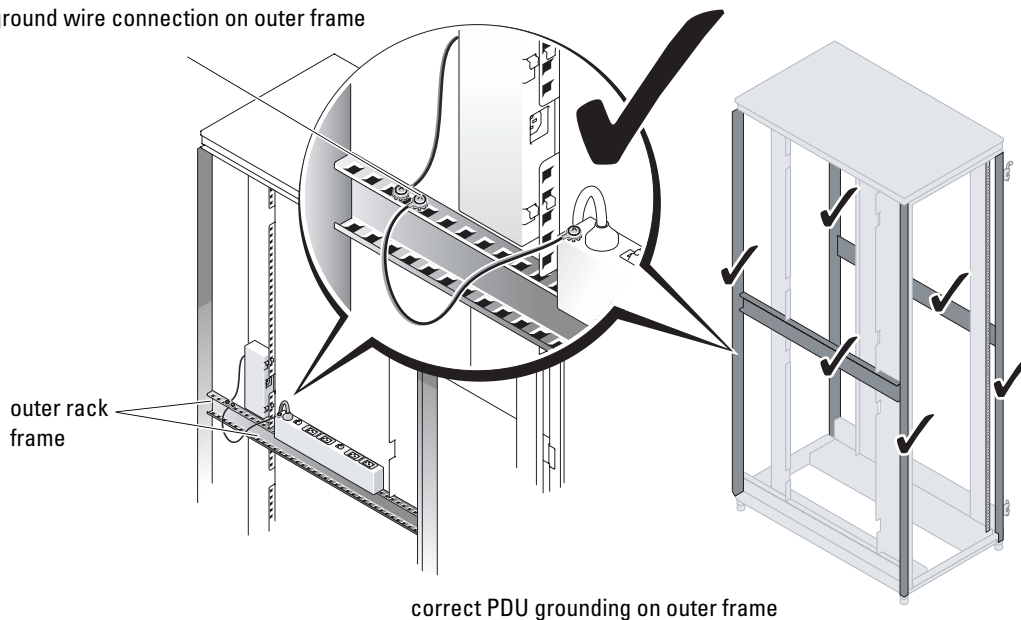
 **CAUTION:** Do not attempt to use any one of the inner four posts of the rack as an attach point for connecting the ground wire to the rack. When you ground the cable to the rack, ensure that you select an attach point that is one of the holes located only on the outer members of the rack frame, as shown in Figure 1-7.

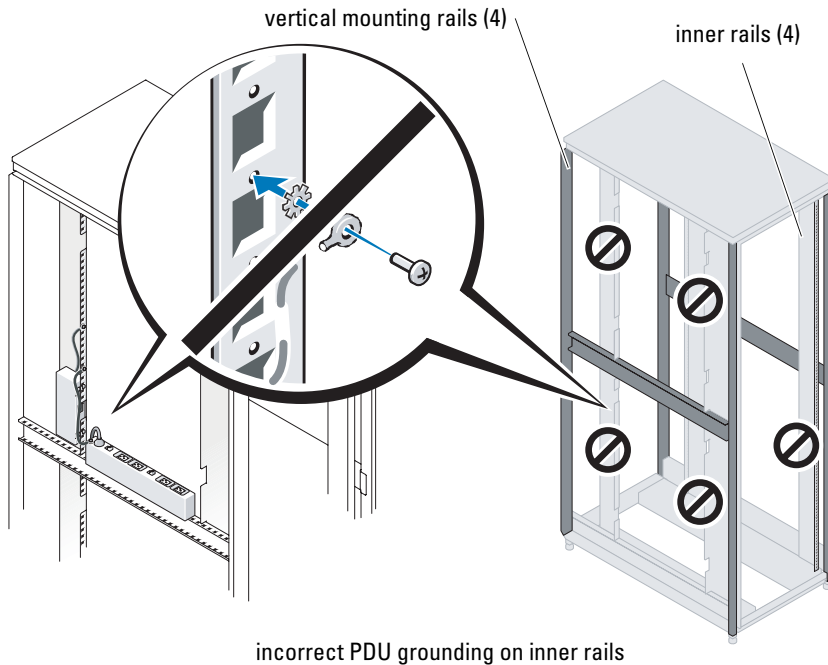
Secure the black thread-forming screw to one of the round rack holes on the rack frame so that the star washer makes tight contact (torque value is approximately 24-30 in-lbs) with the bare metal of the rack (see Figure 1-7).

 **NOTE:** A tight connection (torque value of approximately 24-30 in-lbs) is required to ensure that the star washer contacts bare metal through the paint on the vertical rail of the rack.

**Figure 1-7. PDU Ground Wire Connection**

ground wire connection on outer frame





## Cabling the PDUs


The methods that you use to cable your rack components to a power strip or PDU depend on many factors. For 10-A and 12-A power strips and 16-A, 24/32-A PDUs, 30-A Three-Phase PDUs, and 60-A Single-Phase PDUs various inlet and outlet power cords are provided with each unit based on national and regional specifications. Each power strip or PDU is shipped with one or two region-specific inlet cables and, in some cases, a number of standard IEC 60320 outlet cables in various lengths and a NEMA-to-IEC adapter cable. The inlet power cords for 10-A and 12-A power strips and 16-A PDUs are detachable. The detachable power cords come with a support bracket that attaches to the PDU case to help secure the inlet power connector to the PDU. The inlet power cord for the 24/32-A PDU, the 30-A Three-Phase PDU, and the 60-A Single-Phase PDU is fixed.

The 32-A and 40-A PDUs use terminal block connections that must be hardwired to a main AC source by a licensed electrician. For 32-A and 40-A PDUs, various outlet power cords are provided with each unit based on national and regional specifications. An inlet cable and conduit are not supplied with the 32-A and 40-A PDUs.

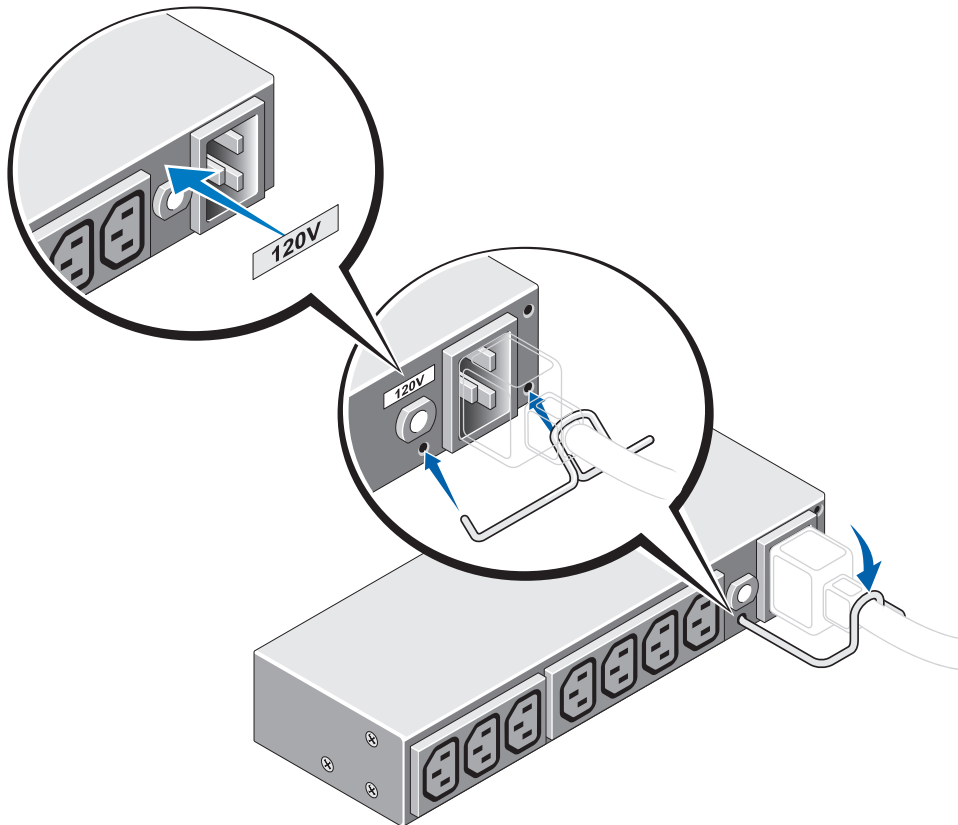
**⚠ CAUTION: PDUs that attach directly to a main AC source by terminal block connections must be installed by a licensed electrician. Always follow the local and national electrical codes and regulations for your country or region.**


### Attaching the Inlet Power Cord and Support Bracket for 10-A and 12-A Power Strips and 16-A PDUs

- 1 Attach the inlet power cord to the PDU.
- 2 Insert the ends of the bracket into the two holes on either side of the inlet connector, and rotate the bracket until it makes firm contact with the power cord (see Figure 1-8).

 **NOTE:** For optimum cord retention, apply equal pressure to both sides of the power-cord support bracket until it closes firmly around the power cord.

**Figure 1-8. Attaching the Power Cord Support Bracket**

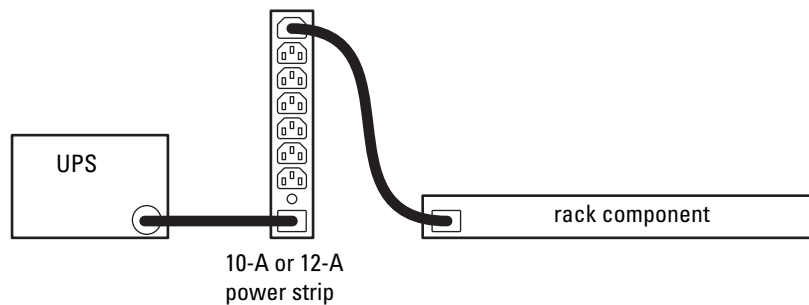


 **NOTE:** Dell recommends that you label your PDU models and power strips with the corresponding voltages. Locate the packet of voltage labels (if included in your rack kit contents) and select the corresponding label to affix to the appropriate model. See Figure 1-2 for kit contents and Figure 1-8 for recommended label orientation.

### Cablings 10-A and 12-A Power Strips

10-A and 12-A power strips can be used as power extensions from a UPS (see Figure 1-9).

**Figure 1-9. Cablings a 10-A and 12-A Power Strips From a UPS**

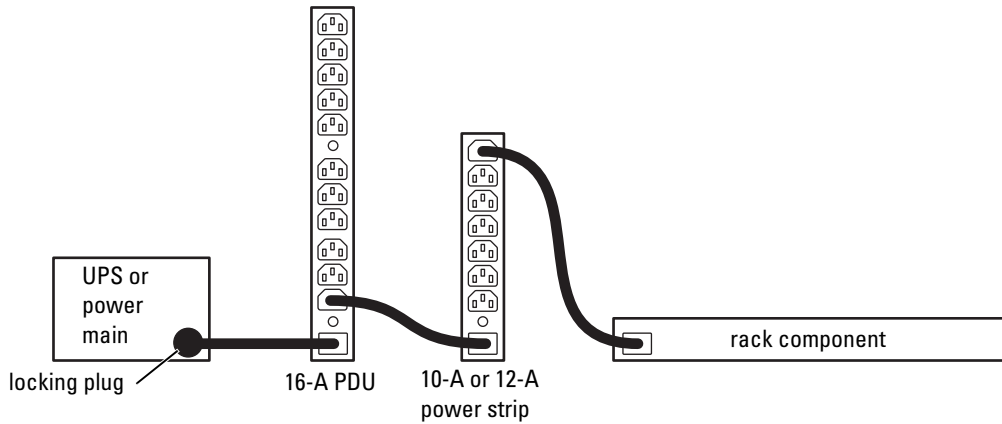


10-A and 12-A power strips can also be used as power extensions from 16-A, 24/32-A, 32-A, and 40-A PDUs (see Figure 1-10). Table 1-1 lists the maximum number of power strips that can be used with each PDU.

**Table 1-1. Maximum Number of Power Strips per PDU**

<b>PDU Model</b>	<b>Maximum Combined Current per PDU</b>	<b>Maximum Number of 10-A Power Strips</b>	<b>Maximum Number of 12-A Power Strips</b>
16-A PDU	16 A	1	1
24/32-A PDU	24/32 A	2	2
32-A PDU	32 A	4	NA
40-A PDU	40 A	NA	4
30-A Three-Phase PDU	30 A	3	2
60-A Single-Phase PDU	60 A	3	3

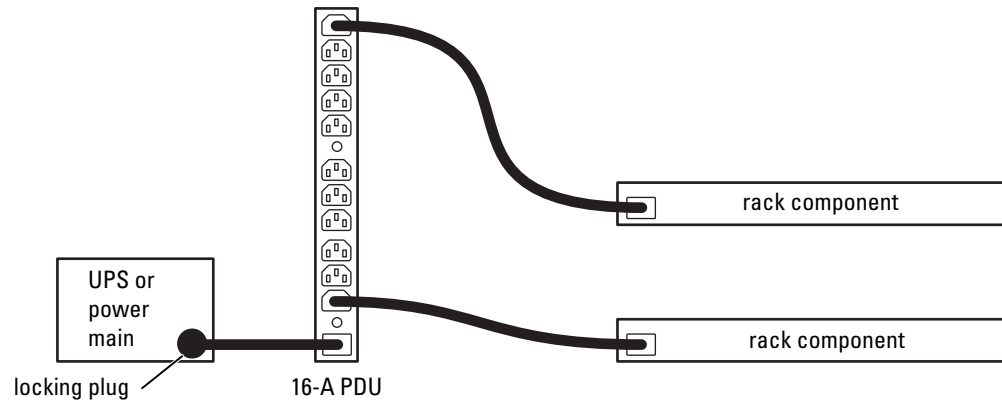
**Figure 1-10. Cabling a 10-A or 12-A Power Strip From a PDU**



**Cabling 16-A PDUs**

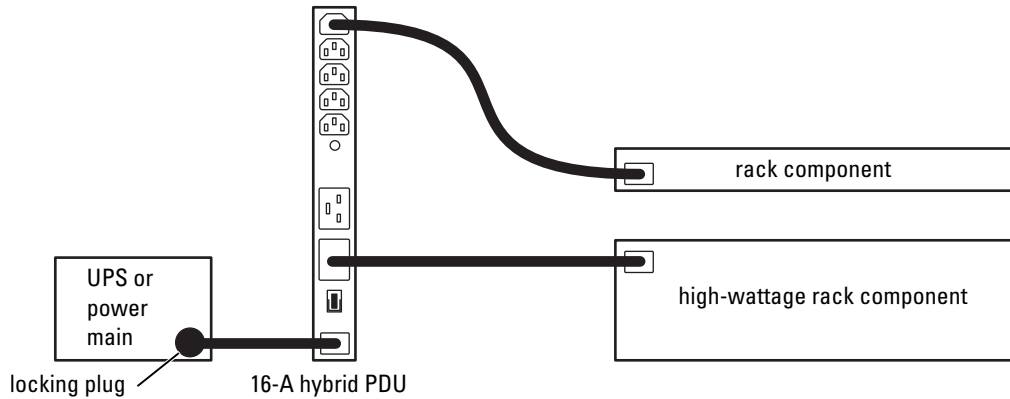
16-A PDUs can be used as power extensions from a UPS or from the main AC source. The "locking" style of the inlet plug ensures a secure, grounded electrical connection. The 16-A PDU has 13 standard IEC 60320 - C13 outlets that allow deployment of high-wattage rack components (see Figure 1-11).

**Figure 1-11. Cabling a 16-A PDU From a UPS or AC Source**



The 16-A hybrid PDUs can be used as power extensions from a UPS or from the main AC source. The "locking" style of the inlet ensures a secure, grounded electrical connection. 16A hybrid PDUs have seven standard IEC 60320 - C13 outlets and two IEC 60320 - C19 outlets that allow deployment of high-wattage rack components (see Figure 1-12).

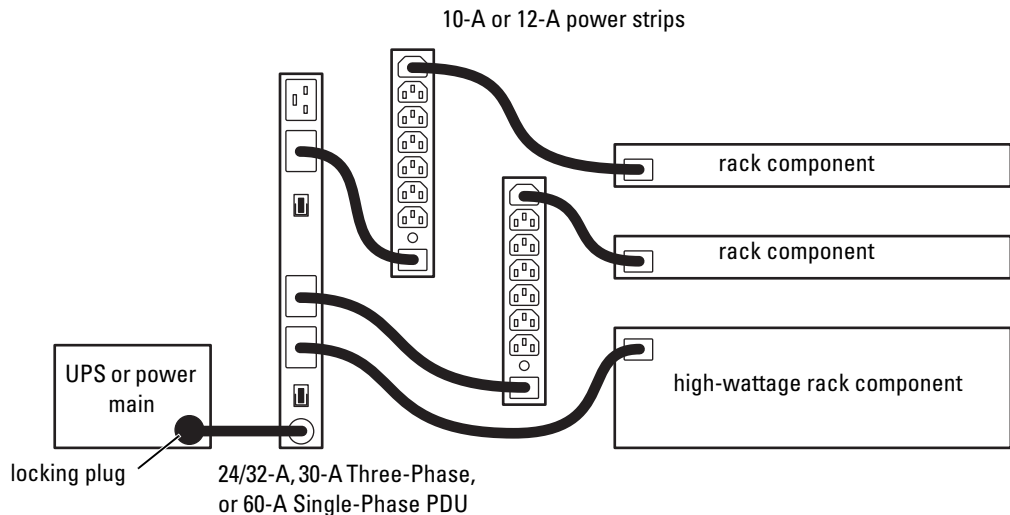
**Figure 1-12. Cabling a 16-A Hybrid PDU From a UPS or AC Source**



**Cabling 24/43-A, 30-A Three-Phase, and 60-A Single-Phase PDUs**

24/32-A PDUs can be used as power extensions from a UPS or from the main AC source. The "locking" style of the inlet plug ensures a secure, grounded electrical connection. 24/32A PDUs have four IEC 60320 - C19 outlets that allow deployment of high-wattage rack components. 30-A Three-Phase PDUs and 60-A Single-Phase PDUs have three IEC 60320 - C19 outlets that allow deployment of high-wattage rack components. Up to two 12-A or up to three 10-A power strips can be used as power extensions from a 24/32-A PDU, a 30-A Three-Phase PDU, or a 60-A Single-Phase PDU (see Figure 1-13).

**Figure 1-13. Cabling a 24/32-A, 30-A Three-Phase, or 60-A Single-Phase PDUs From a UPS or AC Source**

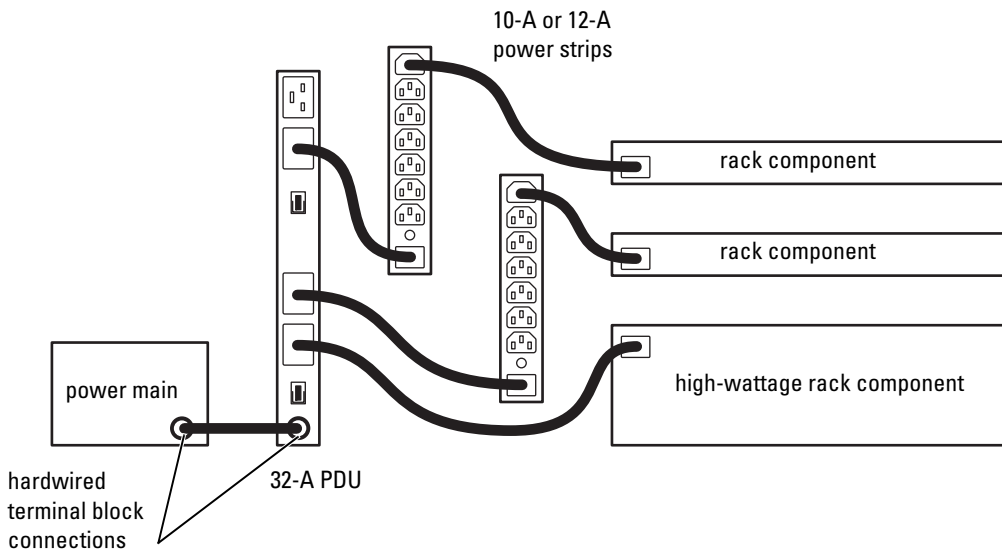


### Cabling 32-A and 40-A PDUs

The 32-A and 40-A PDUs can be used as power extensions from a main AC source. The 32-A and 40-A PDUs are hardwired to a main AC source using terminal block connections. Up to four 10-A power strips can be used as power extensions from a 32-A PDU, as long as the total combined current is less than 32 A. Up to four 12-A power strips can be used as power extensions from a 40-A PDU, as long as the total combined current is less than 32 A (see Figure 1-14).

**⚠ CAUTION: PDUs that attach directly to a main AC source by terminal block connections must be installed by a licensed electrician. Always follow the local and national electrical codes and regulations for your country or region.**

**Figure 1-14. Cabling a 32-A or 40-A PDU From a Main AC Source**



# PDU Configurations and Technical Specifications

**Table 1-2. PDU Power Configurations**

Model	Input Voltage	Maximum Power Rating	Circuit Breaker (Quantity)
12-A NEMA power strip	100 V, 120 V	15 A	15 A (1)
10-A IEC power strip	230 V	10 A	10 A (1)
12-A IEC power strip	100 V, 120 V, 208 V	15 A	15 A (1)
16-A PDU	120 V, 208 V, 230 V	16 A	15 A (2)
16-A hybrid PDU	120 V, 208 V, 230 V	16 A	15 A (1), 20 A (1)
24/32-A PDU	120 V, 208 V	24 A	20 A (2)
	230 V	32 A	
32-A PDU	230 V	32 A	20 A (2)
40-A PDU	120 V, 208 V	40 A	20 A (2)
30-A Three-Phase PDU	208 V, 230 V	30 A	20 A (3)
60-A Single-Phase PDU	208 V, 230 V	60 A	20 A (3)

**Table 1-3. PDU Connector Configurations**

Model	Inlet Connector	Outlet Connectors (Quantity/Location)
12-A NEMA power strip	IEC 60320 - C14	NEMA 5 - 15R (5 front)
10-A IEC power strip	IEC 60320 - C14	IEC 60309 - C13 (7 front, 1 back)
12-A IEC power strip	IEC 60320 - C14	IEC 60309 - C13 (7 front, 1 back)
16-A PDU	IEC 60320 - C20	IEC 60309 - C13 (11 front, 2 back)
16-A hybrid PDU	IEC 60320 - C20	IEC 60320 - C13 (5 front, 2 back)
		IEC 60320 - C19 (2 front)
24/32-A PDU	fixed	IEC 60320 - C19 (4 front)
32-A PDU	terminal block	IEC 60320 - C19 (4 front)
40-A PDU	terminal block	IEC 60320 - C19 (4 front)
30-A Three-Phase PDU	fixed	IEC 60320 - C19 (3 front)
60-A Single-Phase PDU	fixed	IEC 60320 - C19 (3 front)



	Power Strips			PDUs						
	12-A NEMA	10-A IEC	12-A IEC	16-A	16-A Hybrid	24/32-A	32-A	40-A	30-A Three-Phase	60-A Single-Phase
<b>Power</b>										
Max. input current	15 A	10 A	15 A	20 A	20 A	24/32 A	32 A	40 A	30 A	60 A
Heat dissipation (nominal)	30 BTU/hr	30 BTU/hr	30 BTU/hr	45 BTU/hr	45 BTU/hr	45 BTU/hr	45 BTU/hr	45 BTU/hr	45 BTU/hr	45 BTU/hr
Input AC Voltage	100 V, 120 V	230 V	120 V, 208 V	100 V, 120 V, 200 V, 208 V, 230 V	100 V, 120 V, 200 V, 208 V, 230 V	120 V, 208 V, 230 V	230 V	120 V, 208 V	208 V, 230 V	208 V, 230 V
<b>Physical</b>										
Height cm (in)	23.98 (9.44)	23.98 (9.44)	23.98 (9.44)	38.81 (15.28)	38.81 (15.28)	43.82 (17.25)	43.82 (17.25)	43.82 (17.25)	38.81 (15.28)	38.81 (15.28)
Width cm (in)	4.37 (1.72)	4.37 (1.72)	4.37 (1.72)	4.37 (1.72)	4.37 (1.72)	4.37 (1.72)	4.37 (1.72)	4.37 (1.72)	4.37 (1.72)	4.37 (1.72)
Depth cm (in)	9.30 (3.66)	9.30 (3.66)	9.30 (3.66)	9.30 (3.66)	9.30 (3.66)	9.30 (3.66)	9.30 (3.66)	9.30 (3.66)	11.58 (4.56)	11.58 (4.56)
Weight kg (lb)	0.91 (2.00)	0.91 (2.00)	0.91 (2.00)	1.52 (3.35)	1.62 (3.58)	3.33 (7.34)	3.33 (7.34)	3.33 (7.34)	2.20 (4.89)	2.20 (4.89)
<b>Environmental</b>										
Temperature:										
Operating	0°–45°C (32°–113°F)			0°–45°C (32°–113°F)						
Storage	-25°–65°C (-13°–149°F)			-25°–65°C (-13°–149°F)						
Relative humidity	0%–95% (non-condensing)			0%–95% (non-condensing)						
Maximum vibration:										
Operating	0.5 G at 5–15 Hz for 60 min			0.5 G at 5–15 Hz for 60 min						
Storage	0.75 G at 5–15 Hz for 60 min			0.75 G at 5–15 Hz for 60 min						
Altitude:										
Operating	0–3000 m (0–10,000 ft)			0–3000 m (0–10,000 ft)						
Storage	0–15,000 m (0–50,000 ft)			0–15,000 m (0–50,000 ft)						



# Index

## C

- cabling
  - 16-A PDUs, 19
  - 24/32-A PDUs, 20
  - 32-A PDUs, 21
  - 40-A PDUs, 21
- cabling PDUs, 16

## I

- inlet power cord retainer
  - bracket
    - attaching, 17
- installation tasks, 9
- installing
  - 0-U position, 10
  - 1-U position, 12

## K

- kit components, 8

## P

- PDU
  - definition, 5

- PDU models, 7
  - 10-A, 7
  - 12-A IEC, 7
  - 12-A NEMA, 7
  - 16-A, 7
  - 16-A hybrid, 7
  - 24/32-A, 7
  - 32-A, 7
  - 40-A, 7
  - 60-A Single-Phase, 7

- power strip
  - definition, 5

## R

- recommended tools, 9

## S

- safety instructions
  - general precautions, 5
  - rack mountable products, 6

## T

- tools
  - recommended, 9



# Modules PDU Dell™ RapidPower

## Guide d'installation

## Remarques, avis et précautions



**REMARQUE** : Une REMARQUE indique des informations importantes qui peuvent vous aider à mieux utiliser votre ordinateur.



**AVIS** : Un AVIS vous avertit d'un dommage ou d'une perte de données potentiels et vous indique comment éviter ce problème.



**PRÉCAUTION** : Une PRÉCAUTION indique un risque potentiel d'endommagement du matériel, de blessure corporelle ou de mort.

---

Les informations contenues dans ce document peuvent être modifiées sans préavis.  
© 2007 Dell Computer Corporation. Tous droits réservés.

La reproduction de ce document de quelque manière que ce soit sans l'autorisation écrite de Dell Inc. est strictement interdite.

Marques utilisées dans ce document : *Dell* et le logo *DELL* sont des marques de Dell Computer Corporation.

Tous les autres noms de marques et marques commerciales utilisés dans ce document se rapportent aux sociétés propriétaires de ces marques et de ces noms ou à leurs produits. Dell Inc. décline tout intérêt dans l'utilisation des marques déposées et des noms de marques ne lui appartenant pas.

# Sommaire

<b>Précaution : consignes de sécurité</b> . . . . .	<b>31</b>
Précautions d'ordre général . . . . .	31
Précautions concernant les produits montables en rack . . . . .	33
<b>Modèles de PDU</b> . . . . .	<b>33</b>
<b>Contenu du kit PDU</b> . . . . .	<b>34</b>
<b>Outils recommandés</b> . . . . .	<b>35</b>
<b>Tâches d'installation</b> . . . . .	<b>35</b>
Détermination de la charge en CA . . . . .	35
Installation des modules PDU dans un rack . . . . .	35
Connexion du câble de mise à la terre . . . . .	41
Câblage des modules PDU . . . . .	43
<b>Configurations et spécifications techniques des modules PDU</b> . . . . .	<b>50</b>
Index . . . . .	53







Ce document indique comment installer les unités de distribution de l'alimentation (PDU) Dell™ RapidPower dans les armoires rack 42 U (U=unité) et 24 U. Il existe deux types de modules PDU : les modules PDU standard, dotés de connecteurs de câbles d'alimentation avec un système auto-bloquant, et les barrettes électriques, qui ne nécessitent pas de connecteur à système auto-bloquant.


Les barrettes électriques et les modules PDU sont installés dans la zone de montage 0U (qui correspond, dans le rack, à la zone inoccupée entre les panneaux latéraux et l'espace de montage des composants). Ils sont maintenus à l'aide des supports de montage des unités, ou, dans le cas d'une configuration 1U, à l'aide des supports de montage fournis avec votre kit.

## **Précaution : consignes de sécurité**

Respectez les consignes de sécurité de ce guide pour assurer votre sécurité personnelle et pour contribuer à protéger le système et l'environnement de dommages potentiels.

Dans toute la section sur la sécurité, l'icône  signale les mises en garde que vous devez lire et appliquer. Pour obtenir toutes les informations concernant la sécurité et les réglementations, consultez le document *Product Information Guide* (Guide d'informations sur le produit) fourni avec le système. Les informations sur la garantie se trouvent soit dans ce document, soit à part.

 **PRÉCAUTION : Votre module PDU est certifié sur le plan de la sécurité en tant que composant utilisable dans une armoire rack. Il vous incombe de veiller à ce que la combinaison finale module PDU/armoire rack soit conforme à toutes les normes de sécurité en vigueur, ainsi qu'aux normes électriques locales. Le constructeur décline toute responsabilité et garantie liée à ce type de combinaisons.**

 **PRÉCAUTION : Tous les périphériques de charge (équipements informatiques) génèrent un courant de fuite. Il est recommandé d'installer des fiches de terminaison auto-bloquantes pour les connexions d'alimentation électrique. Si vous n'en utilisez pas, ne dépassez pas 3,5 mA par connexion d'alimentation. Faites appel à un électricien qualifié pour effectuer une mise à la terre correcte.**

## **Précautions d'ordre général**

Les systèmes sont considérés comme les composants d'un rack. Le terme “composant” fait donc référence à un système mais aussi aux différents périphériques ou matériels associés.

Respectez les précautions générales suivantes pour l'installation de votre module PDU :

- Respectez et suivez les marquages d'entretien. N'effectuez pas la maintenance d'un produit vous-même, sauf si vous suivez les explications fournies dans la documentation de votre système. Si vous ouvrez ou retirez des panneaux dotés d'un symbole triangulaire avec un éclair, vous vous exposez à un risque de décharge électrique. Seuls les techniciens de service qualifiés sont habilités à manipuler les composants à l'intérieur de ces boîtiers.
- Vérifiez que le circuit de la source d'alimentation électrique est conforme à toutes les normes et réglementations électriques locales et nationales.

- Si l'un des événements suivants se produit, débranchez le système de la prise secteur et remplacez la pièce ou contactez votre prestataire de services agréé :
  - Le câble d'alimentation, la rallonge ou la prise est endommagé.
  - Un objet est tombé sur le produit.
  - Le produit a été mouillé.
  - Le produit est tombé ou a été endommagé.
  - Le produit ne fonctionne pas correctement lorsque vous suivez les instructions d'utilisation.
- Utilisez une source d'alimentation externe adéquate et en bon état. Ne faites fonctionner le produit qu'avec une source d'alimentation externe conforme aux indications figurant sur l'étiquette des caractéristiques électriques. Si vous n'êtes pas certain du type de source d'alimentation requis, adressez-vous à votre prestataire de services ou à votre agence locale d'électricité.
- Utilisez uniquement les câbles d'alimentation fournis avec votre module PDU ou votre système.
- Les câbles d'alimentation raccordant un composant au module PDU doivent avoir les mêmes spécifications (tension, courant) que celles figurant sur l'étiquette des caractéristiques électriques du composant. Les spécifications de tension et de courant du câble d'alimentation doivent être supérieures à celles indiquées pour le composant.
- Pour éviter les risques de décharge électrique, branchez les câbles d'alimentation en entrée du module PDU sur des prises secteur correctement mises à la terre. Ces câbles sont équipés de fiches de terminaison à trois broches garantissant une mise à la terre correcte. N'utilisez pas d'adaptateurs et ne retirez jamais la broche de mise à la terre d'un câble. N'utilisez pas de câble prolongateur.
- Assurez-vous que la puissance totale en ampères de tous les produits raccordés à chaque câble prolongateur et barrette électrique est conforme à toutes les normes et réglementations électriques locales et nationales.
- Positionnez avec soin les câbles système et les câbles d'alimentation. Routez les câbles système et le câble d'alimentation ainsi que sa fiche de telle sorte qu'on ne puisse pas marcher ou trébucher dessus. Vérifiez qu'aucun objet n'est posé sur les câbles des composants système ou sur le câble d'alimentation.
- N'apportez aucune modification aux modules PDU ni aux câbles d'alimentation. Si vous souhaitez modifier le site d'installation, adressez-vous à un électricien professionnel ou à votre agence locale d'électricité. Respectez toujours les normes et réglementations électriques locales et nationales en vigueur dans votre pays.
- Les modules PDU qui se branchent directement sur l'alimentation secteur par connexion à un bloc de jonction doivent être installés par un électricien agréé. Respectez toujours les normes et réglementations électriques locales et nationales en vigueur dans votre pays.

## Précautions concernant les produits montables en rack

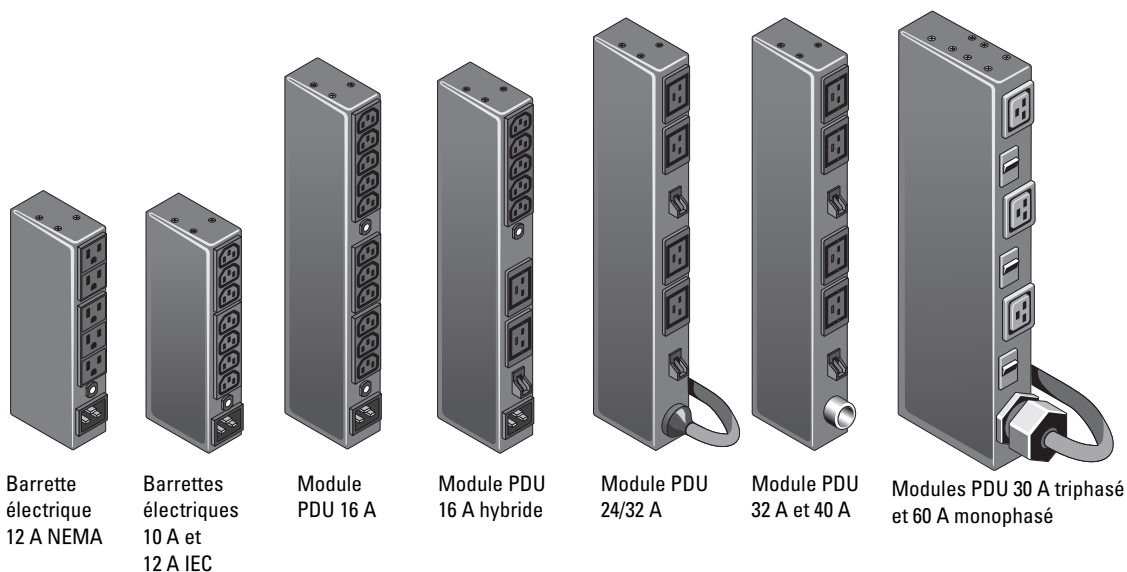
Pour garantir la stabilité du rack, ainsi que votre sécurité, respectez les précautions suivantes. Reportez-vous à la documentation d'installation fournie avec le rack pour savoir quels sont les avertissements et/ou les précautions et les procédures à respecter.

- Avant de commencer à travailler sur un rack, assurez-vous que son installation a été effectuée de façon sûre, conformément aux instructions figurant dans la documentation d'installation du rack.
- Ne montez jamais sur un système ou composant lorsque vous intervenez sur d'autres systèmes ou composants du rack.

## Modèles de PDU

Les barrettes électriques et les modules PDU sont des solutions électriques faisant appel à des fiches en entrée et en sortie adaptées aux normes de chaque pays. Il existe dix configurations de base, représentées figure 1-1 : barrette électrique 12 A NEMA, barrette électrique 10 A IEC, barrette électrique 12 A IEC, module PDU 16 A, module PDU 16 A hybride, module PDU 24/32 A, module PDU 32 A, module PDU 40 A, module PDU 30 A triphasé et module PDU 60 A monophasé. Pour obtenir les informations de configuration appropriées pour chaque modèle et option, voir “Configurations et spécifications techniques des modules PDU”.

**Figure 1-1. Modèles de PDU**



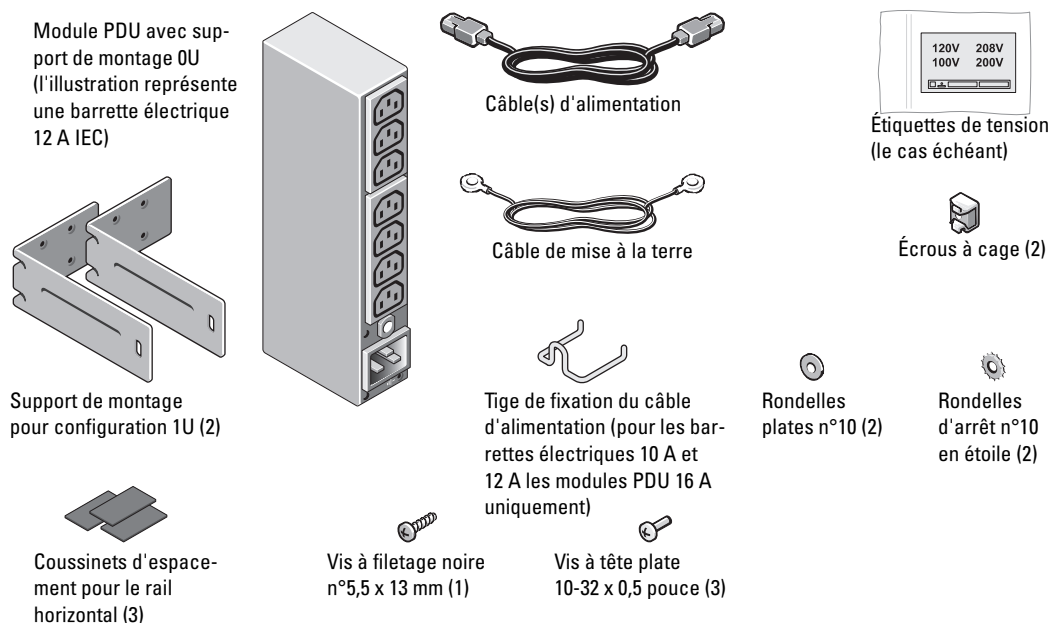
**REMARQUE :** Il est recommandé d'apposer des étiquettes indiquant la tension utilisée sur les modules PDU et barrettes d'alimentation. Utilisez le paquet d'étiquettes de tension fourni dans le kit de rack et sélectionnez l'étiquette appropriée. La figure 1-2 montre le contenu du kit et la figure 1-8 indique comment orienter l'étiquette.

## Contenu du kit PDU

Le contenu du kit présenté figure 1-2 est le même pour tous les modules.

- Un module PDU (avec le support de montage 0U)
- Câbles d'alimentation (de différents types et longueurs, selon le modèle)
- Deux supports de montage pour configuration 1U
- Trois vis à tête plate 10-32 x 0,5 pouce
- Deux rondelles plates n°10
- Une vis à filetage **noire** n°5,5 x 13 mm
- Deux rondelles d'arrêt n°10 en étoile
- Trois coussinets d'espacement pour rail horizontal
- Deux écrous à cage
- Un câble de mise à la terre
- Un support de montage de câble (pour les barrettes électriques 10 A et 12 A et les modules PDU 16 A uniquement)
- Un paquet d'étiquettes permettant d'identifier la tension appropriée pour les PDU et les barrettes d'alimentation (si nécessaire)

Figure 1-2. Contenu du kit



## Outils recommandés

- Tournevis n°2 à tête cruciforme
- Un outil pour l'installation des écrous (configuration 1U uniquement)


## Tâches d'installation

- 1 Détermination de la charge en CA
- 2 Installation des modules PDU dans un rack
- 3 Connexion du câble de mise à la terre
- 4 Câblage des modules PDU

### Détermination de la charge en CA

Avant d'installer un module PDU dans le rack, vous devez vérifier que la puissance totale requise pour tous les systèmes que vous avez l'intention de connecter à ce module PDU ne dépasse pas ses spécifications électriques maximales. Vous devrez peut-être installer plusieurs modules PDU pour protéger correctement les systèmes et les équipements installés dans le rack.

La puissance requise par les produits montables en rack est générale indiquée dans leur guide d'utilisation. Pour calculer le total, additionnez les valeurs maximum correspondant au courant consommé par tous les composants à raccorder au module PDU. La valeur maximale du courant consommé ne doit pas excéder la valeur maximale théorique inscrite sur le côté du PDU. Par exemple, si votre PDU a une valeur maximale théorique de courant égale à 16 A, la somme des courants passant dans les câbles d'alimentation connectés au PDU ne doit pas excéder 16 A.

 **AVIS :** La charge en CA maximale qu'un module PDU peut accepter est précisée sur son étiquette. Toute charge supérieure provoque un déclenchement du coupe-circuit du module PDU et un arrêt de l'alimentation. Si la charge électrique dépasse la puissance maximum d'un seul module PDU, vous devez installer plusieurs modules PDU.

### Installation des modules PDU dans un rack

Vous pouvez installer le module PDU à l'horizontale ou à la verticale dans un rack. Lorsqu'il est monté à l'horizontale à l'arrière du rack, le module PDU occupe 1U de l'espace de montage des composants. Lorsqu'il est monté à la verticale ou à l'horizontale sur le côté du rack, le module PDU n'occupe pas d'espace de montage des composants. Cette méthode d'installation est appelé montage 0U, car l'unité est fixée sur des rails distincts, sur le côté de l'armoire rack.

 **REMARQUE :** La conception des racks n'étant pas standard, le montage 0U ne peut pas toujours être utilisé. Le montage 1U est possible pour tous les racks conformes aux spécifications des normes American National Standards Institute (ANSI)/Electrical Industries Association (IEC) ANSI/EIA-310-D-92, International Electrotechnical Commission (IEC) 297 et Deutsche Industrie Norm (DIN) 41494.

## Position de montage 0U

Les rails verticaux externes des racks Dell 42U et 24U présentent des découpes qui permettent d'accéder aux connecteurs en sortie situés à l'arrière du module PDU. Lorsque vous installez un module PDU dans un rack présentant ces découpes, positionnez le module PDU de façon à aligner le connecteur de sortie arrière sur ces découpes (voir la figure 1-3).



**REMARQUE :** Tous les montages verticaux de type 0U ne permettant pas d'utiliser les découpes permettant d'accéder aux connecteurs de sortie arrière. En outre, avec le module PDU 16 A, la découpe permet d'accéder à un seul connecteur (voir la figure 1-3).

Le montage 0U recommandé pour les barrettes électriques 10 A et 12 A, le module PDU 16 A, le module PDU 30 A triphasé et le module PDU 60 A monophasé doit s'effectuer sur le rail vertical externe, à l'arrière du rack. Il est possible de monter jusqu'à six barrettes électriques 10 A ou 12 A et jusqu'à quatre modules PDU 16 A/30 A triphasés/60 A monophasés sur chaque rail vertical externe d'un rack 42U. Un module PDU 16 A ou 30 A triphasé/60 A monophasé peut également être monté sur chacun des rails horizontaux externes d'un rack 42U. Il est possible de monter jusqu'à trois barrettes électriques 10 A ou 12 A et jusqu'à deux modules PDU 16 A/30 A triphasé ou 60 A monophasé sur chaque rail vertical externe d'un rack 24U. Reportez-vous à la figure 1-3 pour savoir quelles sont les possibilités de montage 0U dans un rack 42U.

Le montage 0U recommandé pour les modules PDU 24/32 A, 32 A et 40 A s'effectue sur les rails horizontaux externes d'un rack 42U ou sur les rails verticaux arrière d'un rack 24U. Voir la figure 1-3 pour savoir quelles sont les possibilités de montage 0U dans un rack 42U.

Pour installer un module PDU dans l'espace 0U sur le côté du rack, procédez comme suit :

- 1 Retirez le ou les panneaux latéraux du rack.

Consultez la documentation utilisateur fournie avec le rack pour savoir comment retirer les panneaux latéraux.

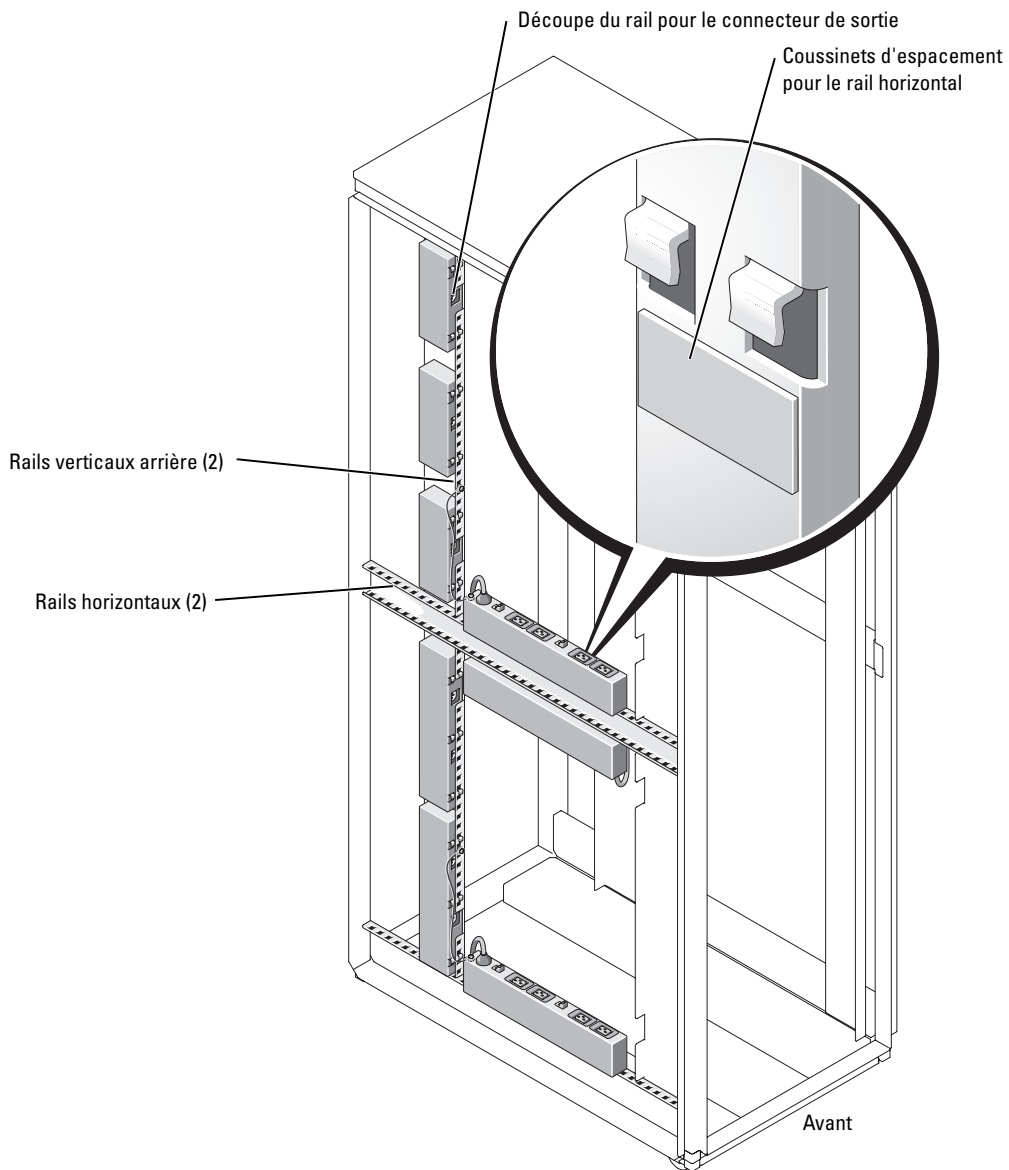
- 2 Repérez l'emplacement du module PDU sur le rail vertical ou horizontal le plus proche des systèmes qu'il doit alimenter.

Vérifiez que tous les câbles d'alimentation que vous souhaitez raccorder au module PDU sont suffisamment longs pour atteindre ce dernier.



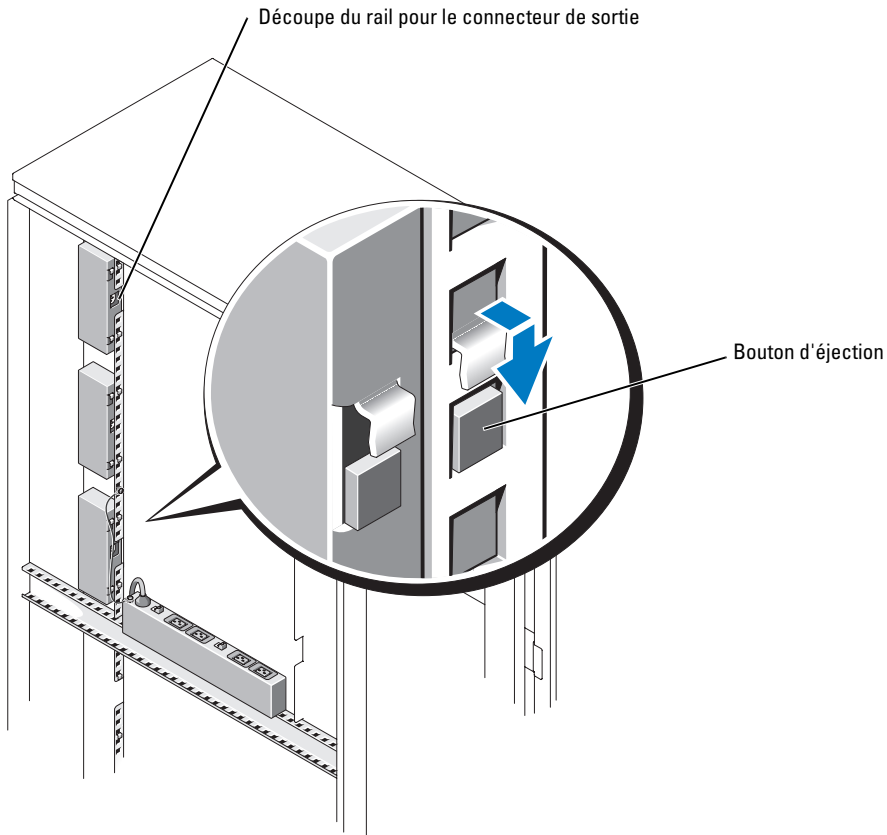
**REMARQUE :** Si vous installez un module PDU sur le rail horizontal, vous devez fixer les coussinets d'espacement auto-adhésifs à l'arrière du module PDU pour qu'il soit correctement maintenu. Placez un coussinet d'espacement à côté de chaque paire de crochets de montage (voir la figure 1-3).

**Figure 1-3. Positions de montage 0U**



- 3 Positionnez le module PDU de telle sorte que les crochets de montage entrent dans les trous carrés du rail vertical ou horizontal.
- 4 Appuyez sur le module PDU jusqu'à ce que les crochets de montage s'emboîtent dans les trous carrés et que le bouton d'éjection ressorte avec un déclic (voir la figure 1-4).

**Figure 1-4. Installation du module PDU (montage OU vertical)**





## Position de montage 1U

Le montage 1U recommandé pour un module PDU s'effectue à l'arrière du rack, aussi près que possible de l'endroit où est installé l'équipement qu'il doit alimenter. Les supports d'installation peuvent être fixés sur les côtés du module PDU et être orientés vers l'arrière ou l'avant. Quelle que soit l'orientation choisie, veillez à ce que le positionnement du module PDU laisse suffisamment de mou aux câbles afin que chaque système installé dans le rack et connecté au PDU puisse coulisser librement lors des opérations de maintenance.

Pour installer un module PDU à l'horizontale dans l'espace 1U à l'arrière du rack, procédez comme suit :

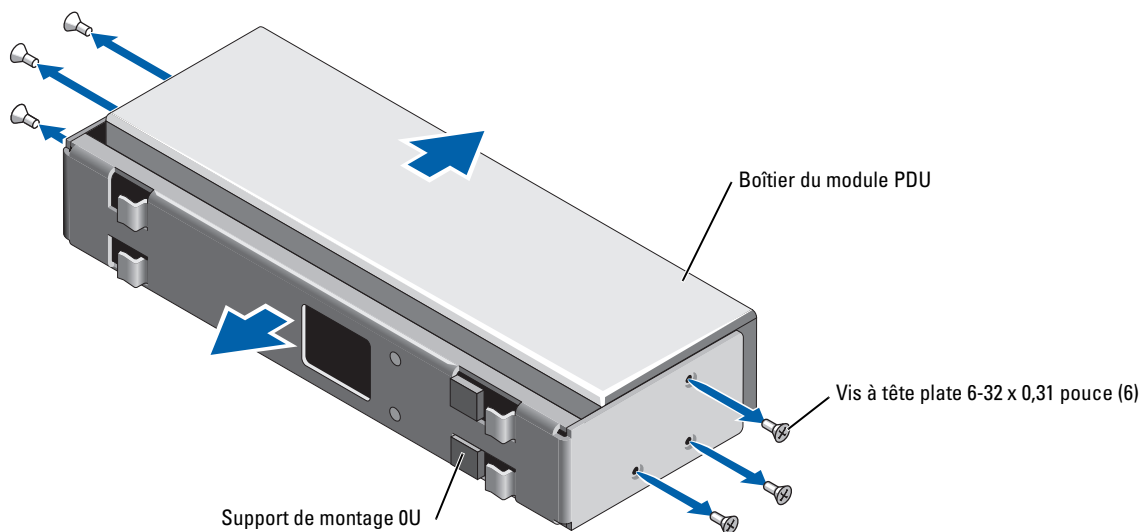
- 1 Ouvrez les portes avant et arrière de l'armoire rack.
- 2 Repérez et marquez l'emplacement du module PDU à la position 1U (une seule unité) la plus basse à laquelle il peut être installé ou à la position la plus proche des systèmes qu'il doit alimenter.

Vérifiez que tous les câbles d'alimentation que vous souhaitez raccorder au module PDU sont suffisamment longs pour atteindre ce dernier.

- 3 Retirez le support de montage 0U du boîtier du module PDU. Pour ce faire, retirez les six vis à tête plate 6-32 x 0,31 pouce situées aux extrémités du boîtier.

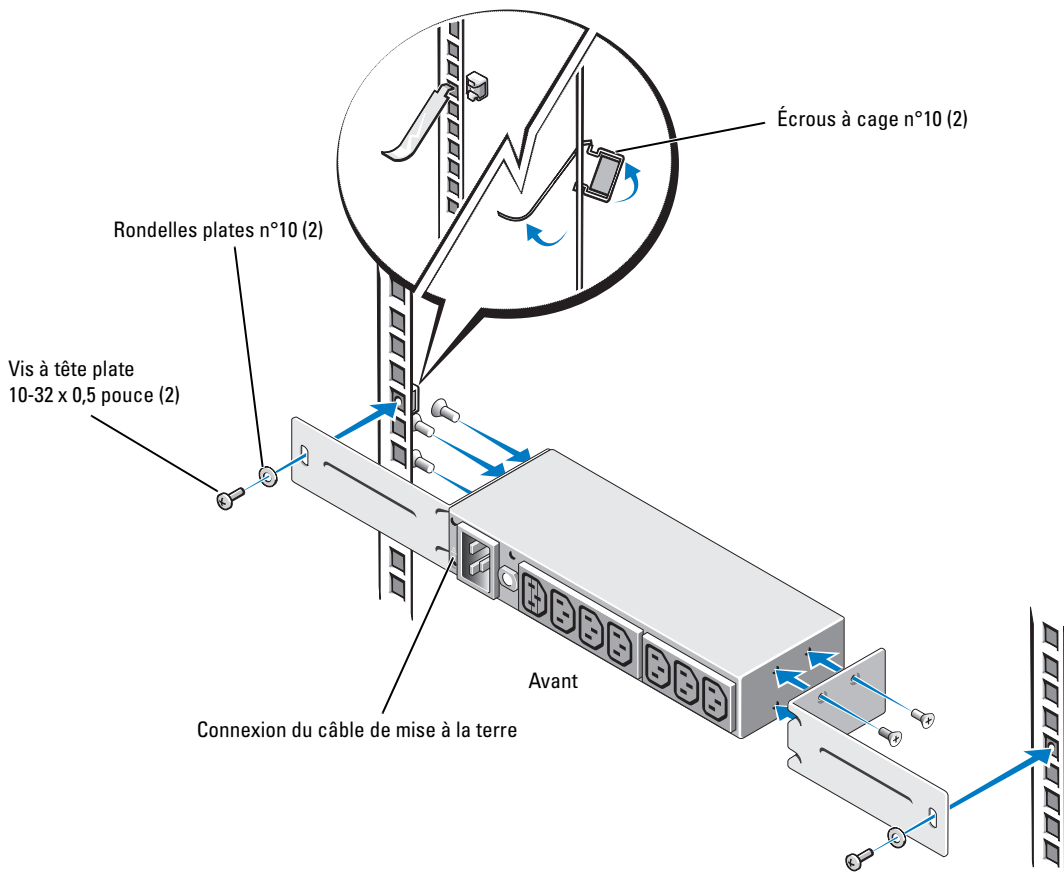
Gardez ces vis : vous en aurez besoin pour installer les supports de montage 1U à l'étape 4 (voir la figure 1-5).

**Figure 1-5. Retrait du support de montage 0U**




- 4 Fixez les deux supports de montage 1U au boîtier du PDU en utilisant les vis retirées à l'étape 3. Ces vis doivent être fortement serrées pour permettre une connexion directe (tension de serrage d'environ 0,07 à 0,09 kg-m), comme le montre la figure 1-6.
- 5 Installez les écrous dans les seconds trous de la position 1U choisie sur les rails.
- 6 Mettez le module PDU en place et fixez-le aux rails à l'aide des vis et des rondelles, en serrant fortement (tension de serrage d'environ 0,14 à 0,18 kg-m), comme le montre la figure 1-6.

**Figure 1-6. Installation du module PDU (montage 1U horizontal)**




## Connexion du câble de mise à la terre


- 1 Pour mettre le PDU à la terre, insérez la vis de 10-32 x 0,5 pouce dans l'oeillet du câble de mise à la terre, puis passez-la dans la rondelle en étoile. Serrez la vis pour fixer le câble à l'avant du PDU (voir la figure 1-6).

 **REMARQUE** : Utilisez uniquement le trou fileté de mise à la terre du module PDU (signalé par le symbole de terre). Ce trou se trouve à l'extrémité du module, à côté du connecteur d'entrée (voir la figure 1-6).


Serrez la vis de façon que la rondelle en étoile soit en contact direct avec la surface métallique du boîtier du module PDU.

 **REMARQUE** : La vis doit être très serrée pour que la rondelle en étoile entre en contact avec le métal à travers la peinture du boîtier du PDU (tension de serrage d'environ 0,14 à 0,18 kg-m).

- 2 Fixez l'autre extrémité du câble de mise à la terre du module PDU au rack en insérant la vis à filetage dans l'oeillet du câble, puis dans la rondelle en étoile (voir la figure 1-7).

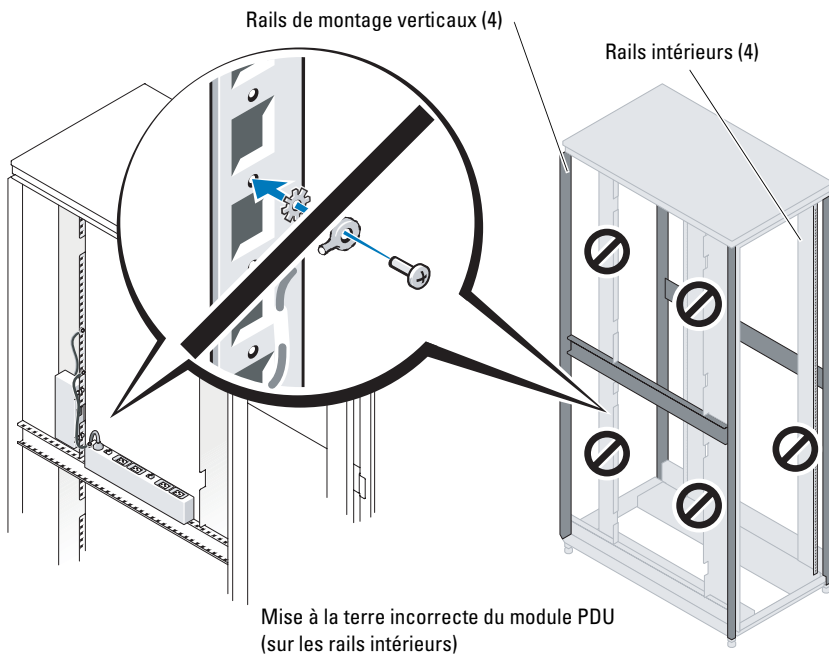
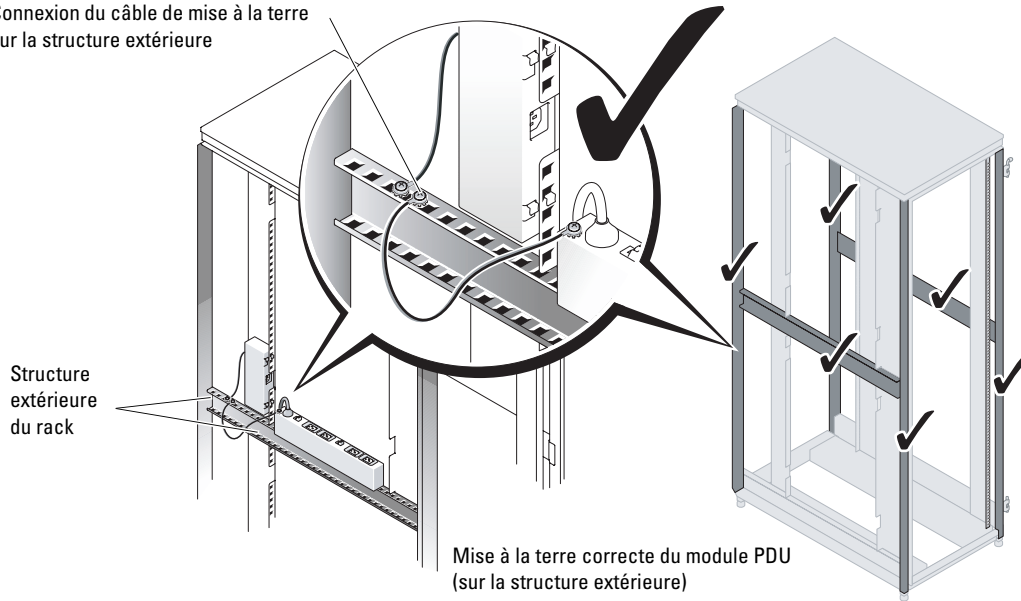
 **PRÉCAUTION** : N'utilisez pas les montants intérieurs du rack comme point d'attache pour connecter le câble de mise à la terre au rack. Utilisez uniquement l'un des trous situés sur la structure extérieure du rack, comme le montre la figure 1-7.

Serrez la vis à filetage noire dans l'un des trous ronds de la structure du rack. La rondelle en étoile doit être fortement serrée (tension de serrage d'environ 0,27 à 0,34 kg-m) et entrer directement en contact avec la surface métallique du rack (voir la figure 1-7).

 **REMARQUE** : La vis doit être très serrée (tension de serrage d'environ 0,27 à 0,34 kg-m) pour que la rondelle en étoile entre en contact avec le métal à travers la peinture du rail vertical du rack.

### Figure 1-7. Connexion du câble de mise à la terre du module PDU

Connexion du câble de mise à la terre sur la structure extérieure




## Câblage des modules PDU

Les méthodes à utiliser pour relier les composants de rack à une barrette électrique ou à un module PDU dépendent de nombreux facteurs.

Pour les barrettes électriques 10 A et 12 A et les modules PDU 16 A, 24/32 A, 30 A triphasés et 60 A monophasés, différents câbles d'alimentation en entrée et en sortie sont fournis avec chaque unité, en fonction des spécifications propres au pays. Chaque barrette électrique ou module PDU est livré avec un ou deux câbles d'entrée spécifiques de votre pays, et, dans certains cas, avec des câbles de sortie IEC 60320 standard de différentes longueurs et un câble adaptateur NEMA/IEC. Les câbles d'alimentation en entrée des barrettes d'alimentation 10 A et 12 A et des modules PDU 16 A sont détachables. Les câbles d'alimentation détachables sont fournis avec une tige de fixation qui doit être raccordée au boîtier du PDU afin d'assujettir le connecteur d'alimentation en entrée au module PDU. Le câble d'alimentation en entrée des modules PDU 24/32 A, 30 A triphasés et 60 A monophasés est déjà fixé.

Les modules PDU 32 A et 40 A utilisent des connexions par bloc de jonction, qu'un électricien agréé doit raccorder à l'alimentation secteur. Pour les modules PDU 32 A et 40 A, différents câbles d'alimentation en sortie sont fournis avec chaque unité, en fonction des spécifications propres au pays. Aucun câble en entrée ni conduit de câbles n'est fourni avec les modules 32 A et 40 A.

 **PRÉCAUTION :** Les modules PDU qui se branchent directement sur l'alimentation secteur par connexion à un bloc de jonction doivent être installés par un électricien agréé. Respectez toujours les normes et réglementations électriques locales et nationales en vigueur dans votre pays.

### Fixation du câble d'alimentation en entrée et de la tige de fixation sur les barrettes électriques 10 A et 12 A et les modules PDU 16 A

- 1 Fixez le câble d'alimentation en entrée sur le module PDU.
- 2 Insérez les extrémités de la tige dans les deux trous situés de chaque côté du connecteur d'entrée, puis faites pivoter la tige jusqu'à ce qu'elle entre fermement en contact avec le câble d'alimentation (voir la figure 1-8).


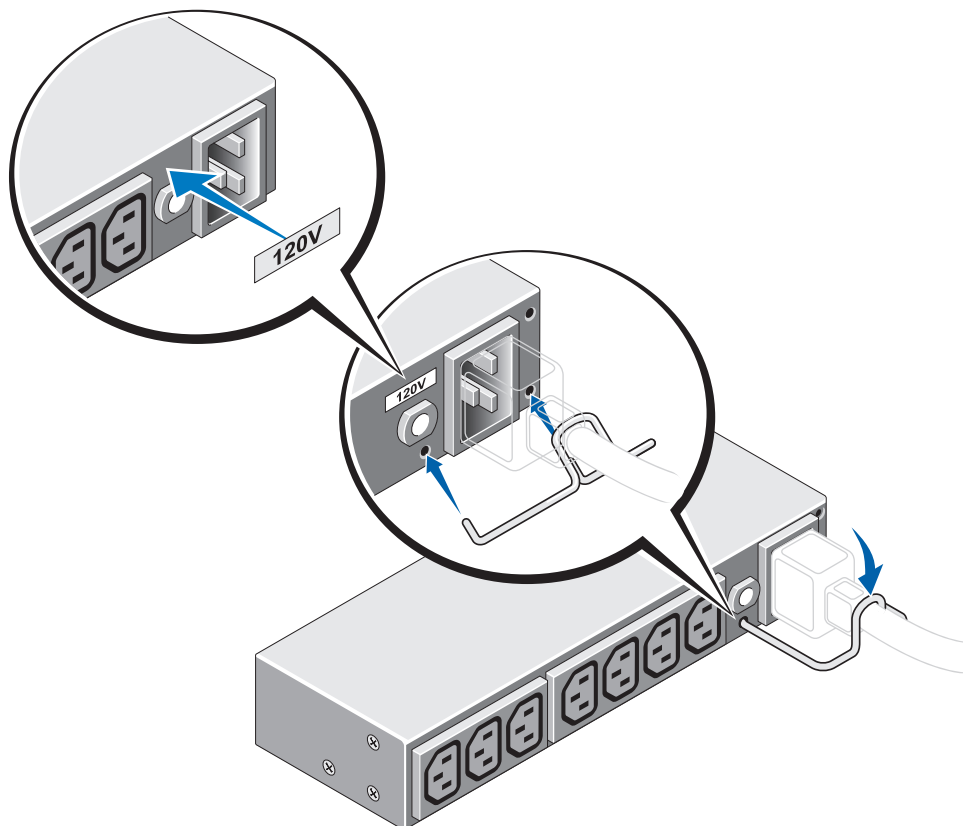
 **REMARQUE :** Pour que le cordon soit correctement maintenu, appliquez une pression égale des deux côtés de la tige de fixation jusqu'à ce qu'elle soit assez serrée autour du cordon.

Figure 1-8. Fixation de la tige de fixation du câble

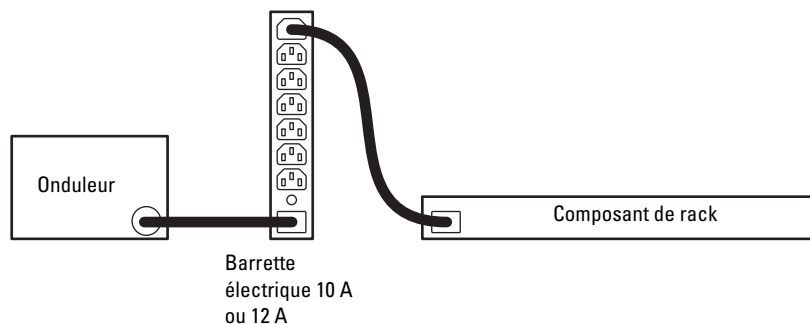


**REMARQUE :** Il est recommandé d'apposer des étiquettes indiquant la tension utilisée sur les modules PDU et barrettes d'alimentation. Utilisez le paquet d'étiquettes de tension fourni dans le kit de rack et sélectionnez l'étiquette appropriée. La figure 1-2 montre le contenu du kit et la figure 1-8 indique comment orienter l'étiquette.

### Câblage des barrettes électriques 10 A et 12 A

Les barrettes électriques 10 A et 12 A peuvent être utilisées comme extensions à partir d'un onduleur (voir la figure 1-9).

**Figure 1-9. Câblage de barrettes d'alimentation 10 A et 12 A à partir d'un onduleur**

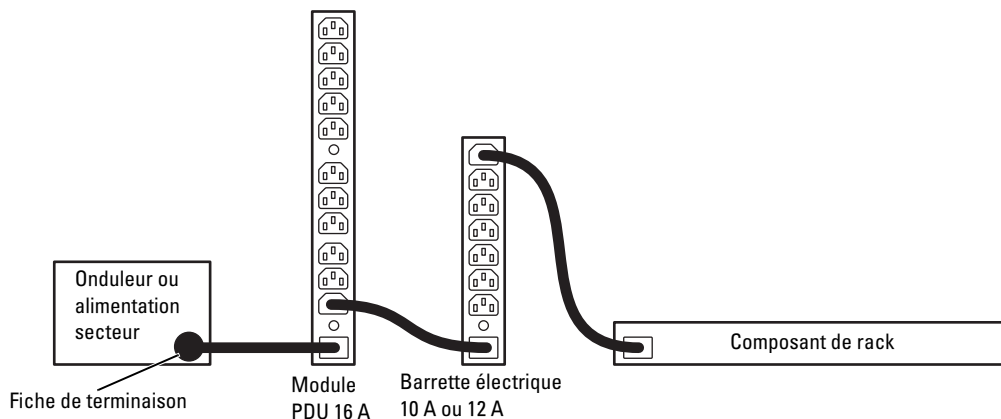


Les barrettes électriques 10 A et 12 A peuvent également être utilisées comme extensions à partir des modules PDU 16 A, 24/32 A, 32 A et 40 A (voir la figure 1-10). Le tableau 1-1 indique le nombre maximal de barrettes électriques pouvant être utilisées avec chaque module PDU.

**Tableau 1-1. Nombre maximal de barrettes électriques par module PDU**

Modèle de PDU	Puissance combinée maximale par PDU	Nombre maximal de barrettes électriques 10 A	Nombre maximal de barrettes électriques 12 A
Module PDU 16 A	16 A	1	1
Module PDU 24/32 A	24/32 A	2	2
Module PDU 32 A	32 A	4	N/A
Module PDU 40 A	40 A	N/A	4
Module PDU 30 A triphasé	30 A	3	2
Module PDU 60 A monophasé	60 A	3	3

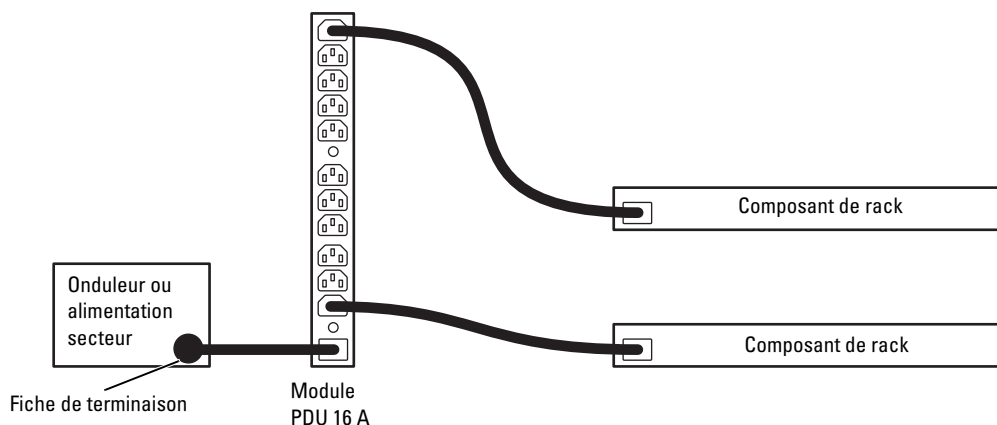
**Figure 1-10. Câblage d'une barrette d'alimentation 10 A ou 12 A à partir d'un module PDU**



### Câblage de modules PDU 16 A

Les modules PDU 16 A peuvent être utilisés comme extensions à partir d'un onduleur ou de l'alimentation secteur. La fiche de terminaison auto-bloquante permet de disposer d'une connexion électrique mise à la terre d'une grande sûreté. Le module PDU 16 A comporte 13 sorties standard IEC 60320 - C13 qui permettent le déploiement de composants de rack à forte consommation (voir la figure 1-11).

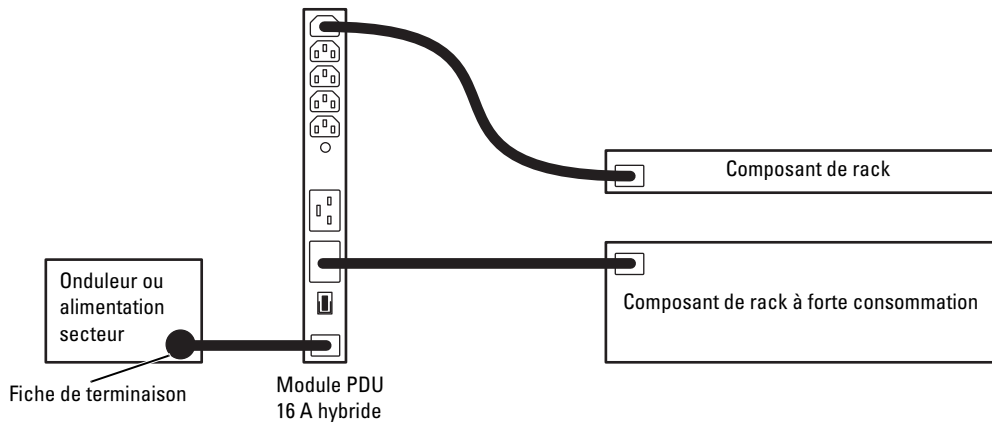
**Figure 1-11. Câblage d'un module PDU 16 A à partir d'un onduleur ou de l'alimentation secteur**



Les modules PDU 16 A hybrides peuvent être utilisés comme extensions à partir d'un onduleur ou de l'alimentation secteur. La fiche de terminaison auto-bloquante permet de disposer d'une connexion électrique mise à la terre d'une grande sûreté. Les modules 16 A hybrides comportent 7 sorties standard IEC 60320 - C13 et 2 sorties IEC 60320 - C19 qui permettent le déploiement de composants de rack à forte consommation (voir la figure 1-12).



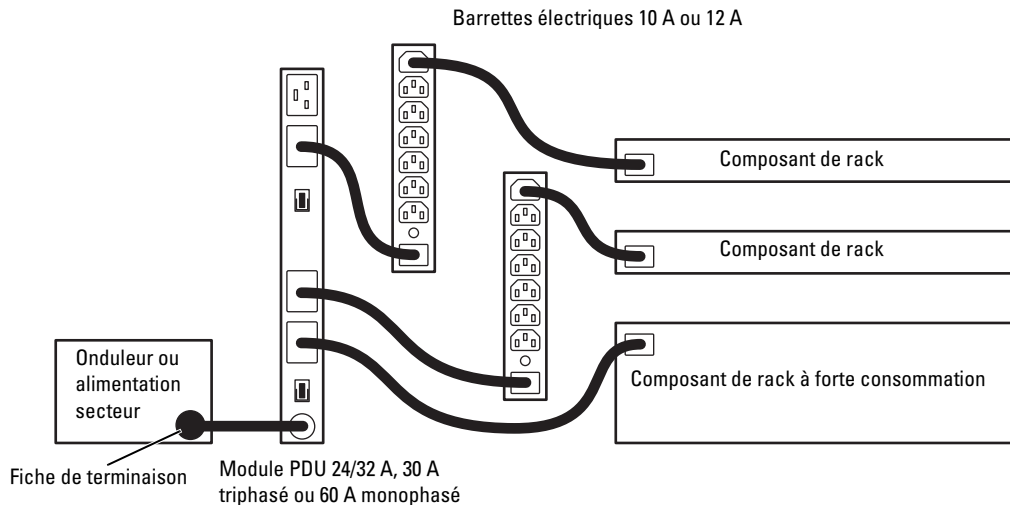
**Figure 1-12. Câblage d'un module PDU 16 A hybride à partir d'un onduleur ou de l'alimentation secteur**



### **Câblage de modules PDU 24/43 A, 30 A triphasés et 60 A monophasés**

Les modules PDU 24/32 A peuvent être utilisés comme extensions à partir d'un onduleur ou de l'alimentation secteur. La fiche de terminaison auto-bloquante permet de disposer d'une connexion électrique mise à la terre d'une grande sûreté. Les modules PDU 24/32 A comportent 4 sorties IEC 60320 - C19 qui permettent le déploiement de composants de rack à forte consommation. Les modules 30 A triphasés et 60 A monophasés comportent 3 sorties IEC 60320 - C19 qui permettent le déploiement de composants de rack à forte consommation. Jusqu'à deux barrettes électriques 12 A ou trois barrettes électriques 10 A peuvent être utilisées comme extensions à partir d'un module PDU 24/32-A, ou bien d'un module PDU 30 A triphasé ou 60 A monophasé (voir la figure 1-13).

**Figure 1-13. Câblage d'un module PDU 24/32 A ou d'un module PDU 30 A triphasé ou 60 A monophasé à partir d'un onduleur ou de l'alimentation secteur**

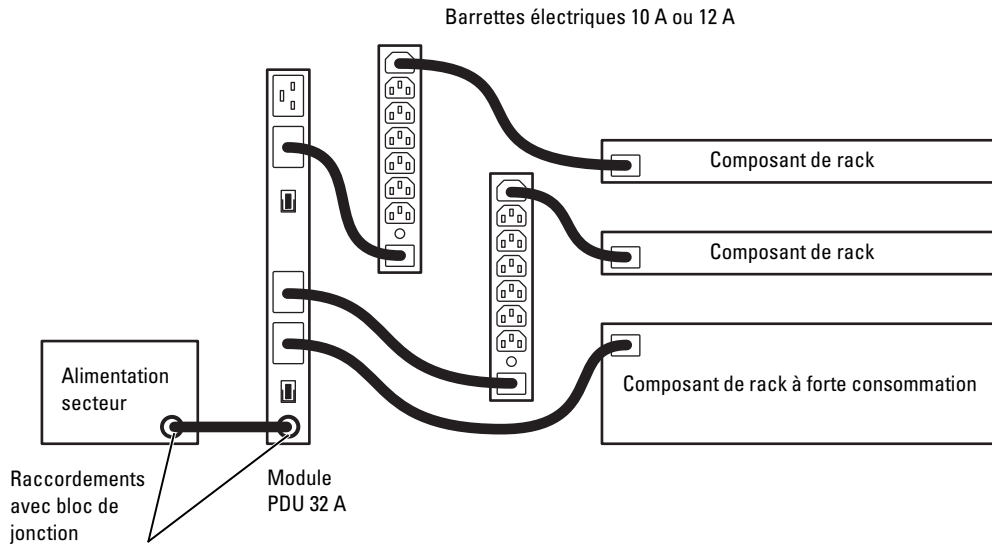


### **Câblage de modules PDU 32 A et 40 A**

Les modules PDU 32 A et 40 A peuvent être utilisés comme extensions à partir de l'alimentation secteur. Ils sont raccordés à l'alimentation secteur via des blocs de jonction. Il est possible d'utiliser jusqu'à quatre barrettes électriques 10 A comme extensions à partir d'un module PDU 32 A, tant que la somme totale des courants correspondants reste inférieure à 32 A. Il est possible d'utiliser jusqu'à quatre barrettes électriques 12 A comme extensions à partir d'un module PDU 40 A, tant que la somme totale des courants correspondants reste inférieure à 32 A (voir la figure 1-14).

**⚠ PRÉCAUTION :** Les modules PDU qui se branchent directement sur l'alimentation secteur par connexion à un bloc de jonction doivent être installés par un électricien agréé. Respectez toujours les normes et réglementations électriques locales et nationales en vigueur dans votre pays.

**Figure 1-14. Câblage d'un module PDU 32 A ou 40 A à partir de l'alimentation secteur**



# Configurations et spécifications techniques des modules PDU

**Tableau 1-2. Configurations électriques des modules PDU**

Modèle	Tension en entrée	Puissance maximum	Coupe-circuit (quantité)
Barrette électrique 12 A NEMA	100 V, 120 V	15 A	15 A (1)
Barrette électrique 10 A IEC	230 V	10 A	10 A (1)
Barrette électrique 12 A IEC	100 V, 120 V, 208 V	15 A	15 A (1)
Module PDU 16 A	120 V, 208 V, 230 V	16 A	15 A (2)
Module PDU 16 A hybride	120 V, 208 V, 230 V	16 A	15 A (1), 20 A (1)
Module PDU 24/32 A	120 V, 208 V	24 A	20 A (2)
	230 V	32 A	
Module PDU 32 A	230 V	32 A	20 A (2)
Module PDU 40 A	120 V, 208 V	40 A	20 A (2)
Module PDU 30 A triphasé	208 V, 230 V	30 A	20 A (3)
Module PDU 60 A monophasé	208 V, 230 V	60 A	20 A (3)

**Tableau 1-3. Configurations des connecteurs des modules PDU**

Modèle	Connecteur d'entrée	Connecteurs de sortie (quantité/emplacement)
Barrette électrique 12 A NEMA	IEC 60320 - C14	NEMA 5 - 15R (5 à l'avant)
Barrette électrique 10 A IEC	IEC 60320 - C14	IEC 60309 - C13 (7 à l'avant, 1 à l'arrière)
Barrette électrique 12 A IEC	IEC 60320 - C14	IEC 60309 - C13 (7 à l'avant, 1 à l'arrière)
Module PDU 16 A	IEC 60320 - C20	IEC 60309 - C13 (11 à l'avant, 2 à l'arrière)
Module PDU 16 A hybride	IEC 60320 - C20	IEC 60320 - C13 (5 à l'avant, 2 à l'arrière)
		IEC 60320 - C19 (2 à l'avant)
Module PDU 24/32 A	Fixe	IEC 60320 - C19 (4 à l'avant)
Module PDU 32 A	Bloc de jonction	IEC 60320 - C19 (4 à l'avant)
Module PDU 40 A	Bloc de jonction	IEC 60320 - C19 (4 à l'avant)
Module PDU 30 A triphasé	Fixe	IEC 60320 - C19 (3 à l'avant)
Module PDU 60 A monophasé	Fixe	IEC 60320 - C19 (3 à l'avant)

	Barrettes d'alimentation			Modules PDU						
	12 A NEMA	10 A IEC	12 A IEC	16 A	16 A hybride	24/32 A	32 A	40 A	30 A triphasé	60 A mono-phasé
<b>Alimentation</b>										
Courant en entrée maximum	15 A	10 A	15 A	20 A	20 A	24/32 A	32 A	40 A	30 A	60 A
Dissipation thermique (nominale)	30 BTU/h	30 BTU/h	30 BTU/h	45 BTU/h	45 BTU/h	45 BTU/h	45 BTU/h	45 BTU/h	45 BTU/h	45 BTU/h
Tension CA en entrée	100 V, 120 V	230 V	120 V, 208 V	100 V, 120 V, 200 V, 208 V, 230 V	100 V, 120 V, 200 V, 208 V, 230 V	120 V, 208 V, 230 V	230 V	120 V, 208 V	208 V, 230 V	208 V, 230 V
<b>Caractéristiques physiques</b>										
Hauteur cm (pouces)	23,98 (9,44)	23,98 (9,44)	23,98 (9,44)	38,81 (15,28)	38,81 (15,28)	43,82 (17,25)	43,82 (17,25)	43,82 (17,25)	38,81 (15,28)	38,81 (15,28)
Largeur cm (pouces)	4,37 (1,72)	4,37 (1,72)	4,37 (1,72)	4,37 (1,72)	4,37 (1,72)	4,37 (1,72)	4,37 (1,72)	4,37 (1,72)	4,37 (1,72)	4,37 (1,72)
Profondeur cm (pouces)	9,30 (3,66)	9,30 (3,66)	9,30 (3,66)	9,30 (3,66)	9,30 (3,66)	9,30 (3,66)	9,30 (3,66)	9,30 (3,66)	11,58 (4,56)	11,58 (4,56)
Poids kg (livres)	0,91 (2,00)	0,91 (2,00)	0,91 (2,00)	1,52 (3,35)	1,62 (3,58)	3,33 (7,34)	3,33 (7,34)	3,33 (7,34)	2,20 (4,89)	2,20 (4,89)
<b>Environnement</b>										
Température :										
En fonctionnement	0° à 45°C (32° à 113°F)			0° à 45°C (32° à 113°F)						
Stockage	-25° à 65°C (-13° à 149°F)			-25° à 65°C (-13° à 149°F)						
Humidité relative	0% à 95% (sans condensation)			0% à 95% (sans condensation)						
Tolérance maximale aux vibrations :										
En fonctionnement	0,5 G avec un balayage de 5 à 15 Hz pendant 60 min			0,5 G avec un balayage de 5 à 15 Hz pendant 60 min						
Stockage	0,75 G avec un balayage de 5 à 15 Hz pendant 60 min			0,75 G avec un balayage de 5 à 15 Hz pendant 60 min						
Altitude :										
En fonctionnement	0 à 3000 m (0 à 10 000 pieds)			0 à 3000 m (0 à 10 000 pieds)						
Stockage	0 à 15 000 m (0 à 50 000 pieds)			0 à 15 000 m (0 à 50 000 pieds)						



# Index

## B

Barrette électrique  
Définition, 31

## C

Câblage  
Modules PDU 16 A, 46  
Modules PDU 24/32 A, 47  
Modules PDU 32 A, 48  
Modules PDU 40 A, 48

Câblage des PDU, 43

Consignes de sécurité  
Précautions d'ordre général, 31  
Produits montables en rack, 33

Contenu du kit, 34

## I

Installation  
Montage 0U, 36  
Montage 1U, 39

## M

Matériel requis pour  
l'installation, 35

Modèles de PDU, 33  
10 A, 33  
12 A IEC, 33  
12 A NEMA, 33  
16 A, 33  
16 A hybride, 33  
24/32 A, 33  
30 A triphasé, 33  
32 A, 33  
40 A, 33  
60 A monophasé, 33

## O

Outils  
Recommandés, 35

## P

PDU  
Définition, 31

## T

Tâches d'installation, 35

Tige de fixation du câble  
d'alimentation  
en entrée  
Fixation, 43








Dell™ RapidPower-  
Spannungsverteiler

# Installationsanleitung

# Anmerkungen, Hinweise und Warnungen

-  **ANMERKUNG:** Eine ANMERKUNG macht auf wichtige Informationen aufmerksam, die die Arbeit mit dem Computer erleichtern.
-  **HINWEIS:** Ein HINWEIS warnt vor möglichen Beschädigungen der Hardware oder vor Datenverlust und zeigt auf, wie derartige Probleme vermieden werden können.
-  **VORSICHT:** Hiermit werden Sie auf eine potentiell gefährliche Situation hingewiesen, die zu Sachschäden, Verletzungen oder zum Tod führen könnte.

---

**Irrtümer und technische Änderungen vorbehalten.**

**© 2007 Dell Computer Corporation. Alle Rechte vorbehalten.**

Die Reproduktion dieses Dokuments in jeglicher Form ohne vorherige schriftliche Genehmigung von Dell Computer Corporation ist streng untersagt.

In diesem Text verwendete Marken: *Dell* und das *DELL* Logo sind Marken von Dell Computer Corporation.

Alle anderen in dieser Dokumentation genannten Marken und Handelsbezeichnungen sind Eigentum der jeweiligen Hersteller und Firmen. Dell Inc. erhebt keinen Anspruch auf Marken oder Handelsnamen mit Ausnahme ihrer eigenen.

# Inhalt

<b>Vorsicht: Sicherheitshinweise</b> . . . . .	<b>59</b>
Allgemeine Vorsichtsmaßnahmen . . . . .	59
Vorsichtsmaßnahmen für Rack-montierbare Produkte . . . . .	61
<b>PDU-Modelle</b> . . . . .	<b>61</b>
<b>PDU-Kit-Komponenten</b> . . . . .	<b>62</b>
<b>Empfohlene Werkzeuge</b> . . . . .	<b>63</b>
<b>Ablauf der Installation</b> . . . . .	<b>63</b>
Feststellen der Wechselstromlast . . . . .	63
Installation von PDUs in einem Rack . . . . .	63
Befestigen des Erdungskabels . . . . .	69
Verkabeln der PDUs. . . . .	71
<b>PDU-Konfigurationen und technische Daten</b> . . . . .	<b>78</b>
Index . . . . .	81





In diesem Dokument ist die Installation von Dell™ RapidPower-Spannungsverteilern (engl. Power Distribution Unit, PDU) in Gestellschränken mit 42 und 24 Einheiten (U) beschrieben. Es gibt zwei Arten von PDUs: Standard-PDUs mit selbsthaltendem Anschluss für das Eingangsstromkabel und Steckerleisten ohne einrastende Verbindung.


Die Steckerleisten und PDUs werden entweder mit den an den Einheiten befestigten Montagehalterungen im Montagebereich 0-U (dem freien Bereich zwischen den Seitenteilen und dem Montagebereich der Komponenten des Racks) oder – bei einer 1-U-Konfiguration – mit den Montagehalterungen des Kits befestigt.

## **Vorsicht: Sicherheitshinweise**

Beachten Sie für Ihre eigene Sicherheit und den Schutz der Systemkomponenten vor Beschädigung unbedingt die folgenden Sicherheitshinweise.

In diesem gesamten Abschnitt weist das Warnsymbol () auf Vorsichtsmaßnahmen hin, die unbedingt befolgt werden müssen. Vollständige Informationen über die Sicherheitsanforderungen und Betriebsvorschriften finden Sie im *Produktinformationshandbuch* zum System. Die Garantieinformationen befinden sich entweder dort oder in einem gesonderten Dokument.

 **VORSICHT: Der Stromverteiler (PDU) ist als Komponente für Gestellschränke sicherheitszertifiziert. Es unterliegt Ihrer Verantwortung, dass die endgültige Kombination von PDU und Gestellschrank alle geltenden Sicherheitsstandards und die lokalen Bestimmungen für elektrische Installationen erfüllt. Der Hersteller lehnt jede Haftung und Gewährleistung für derartige Kombinationen ab.**

 **VORSICHT: Alle Lasten (Computer und Geräte) erzeugen einen Leckstrom. Für die Versorgungsanschlüsse sollten Sie Sicherheitsstecker verwenden. Wenn Sie keine Sicherheitsstecker einsetzen, dürfen die einzelnen Anschlüsse maximal 3,5 mA Strom führen. Lassen Sie die ordnungsgemäße Erdung durch einen qualifizierten Elektriker durchführen.**

## **Allgemeine Vorsichtsmaßnahmen**

Systeme gelten als Komponenten in einem Rack. Der Begriff „Komponente“ bezieht sich also auf ein beliebiges System oder auch Peripheriegeräte und Zusatzhardware.

Bei der PDU-Installation sind die folgenden allgemeinen Vorsichtsmaßnahmen unbedingt zu beachten:

- Beachten und befolgen Sie die Wartungshinweise. Nehmen Sie an den Produkten keine Wartungsarbeiten vor, die über die in der Dokumentation zum System beschriebenen hinausgehen. Das Öffnen oder Entfernen von Abdeckungen, die mit einem dreieckigen Symbol mit Blitz versehen sind, kann zu einem elektrischen Schlag führen. Die Komponenten in diesen Gehäusen dürfen nur von ausgebildeten Service-Technikern gewartet werden.
- Stellen Sie sicher, dass die Stromzufuhr allen lokalen und nationalen Vorschriften und Bestimmungen für elektrische Anlagen entspricht.

- Sollte einer der folgenden Fälle auftreten, trennen Sie die Verbindung zum Netzstrom und ersetzen Sie das entsprechende Teil, oder wenden Sie sich an einen qualifizierten Techniker:
  - Ein Netzstromkabel, Verlängerungskabel oder Stecker ist beschädigt.
  - Ein Gegenstand ist in das Gerät gefallen.
  - Das Gerät wurde Feuchtigkeit ausgesetzt.
  - Das Gerät wurde fallen gelassen oder beschädigt.
  - Das Gerät funktioniert nicht ordnungsgemäß, wenn es gemäß Betriebsanleitung verwendet wird.
- Verwenden Sie eine ordnungsgemäße externe Netzstromquelle. Betreiben Sie das Gerät nur mit einer solchen Stromquelle, die mit den Angaben auf dem Etikett für die elektrischen Daten übereinstimmt. Wenn Sie nicht sicher sind, welche Art von Stromquelle Sie benötigen, wenden Sie sich an einen Elektriker oder den örtlichen Stromversorger.
- Verwenden Sie nur die Netzstromkabel, die mit dem PDU oder dem System geliefert wurden.
- Die Netzstromkabel für den Anschluss einer Komponente an einen PDU müssen für die auf dem Leistungsetikett angegebene Spannung und Stromstärke zugelassen sein. Das Netzstromkabel sollte für größere Spannung und Stromstärke zugelassen sein als auf dem Leistungsetikett der Komponente angegeben.
- Um einen elektrischen Schlag zu vermeiden, schließen Sie die PDU-Eingangstromkabel nur an ordnungsgemäß geerdete Steckdosen an. Diese Netzstromkabel sind mit Schutzkontaktsteckern versehen, die für eine korrekte Erdung sorgen. Verwenden Sie keine Adapterstecker, und entfernen Sie nicht den Erdungskontakt von Netzstromkabeln. Verwenden Sie keine Verlängerungskabel.
- Stellen Sie sicher, dass der Gesamt-Nennstrom aller an ein Verlängerungskabel und eine Steckerleiste angeschlossenen Geräte allen lokalen und nationalen Vorschriften und Bestimmungen für elektrische Anlagen entspricht.
- Verlegen Sie die System- und Netzstromkabel mit Sorgfalt. Verlegen Sie die Systemkabel und das Netzstromkabel so, dass niemand darauf treten oder darüber stolpern kann; gleiches gilt für Stecker. Sorgen Sie dafür, dass keine Gegenstände auf den Kabeln der Systemkomponenten oder dem Netzstromkabel abgestellt werden.
- PDUs oder Netzstromkabel dürfen nicht modifiziert werden. Lassen Sie Änderungen am Standort nur durch qualifizierte Elektriker oder den Stromversorger durchführen. Befolgen Sie immer die lokalen und nationalen Bestimmungen Ihres Standorts für elektrische Anlagen.
- Wenn PDUs über Anschlussklemmen direkt mit der Wechselstromquelle verbunden werden, ist diese Arbeit von einem zugelassenen Elektriker durchzuführen. Befolgen Sie stets die lokalen und nationalen Bestimmungen Ihres Standorts für elektrische Anlagen.

## Vorsichtsmaßnahmen für Rack-montierbare Produkte

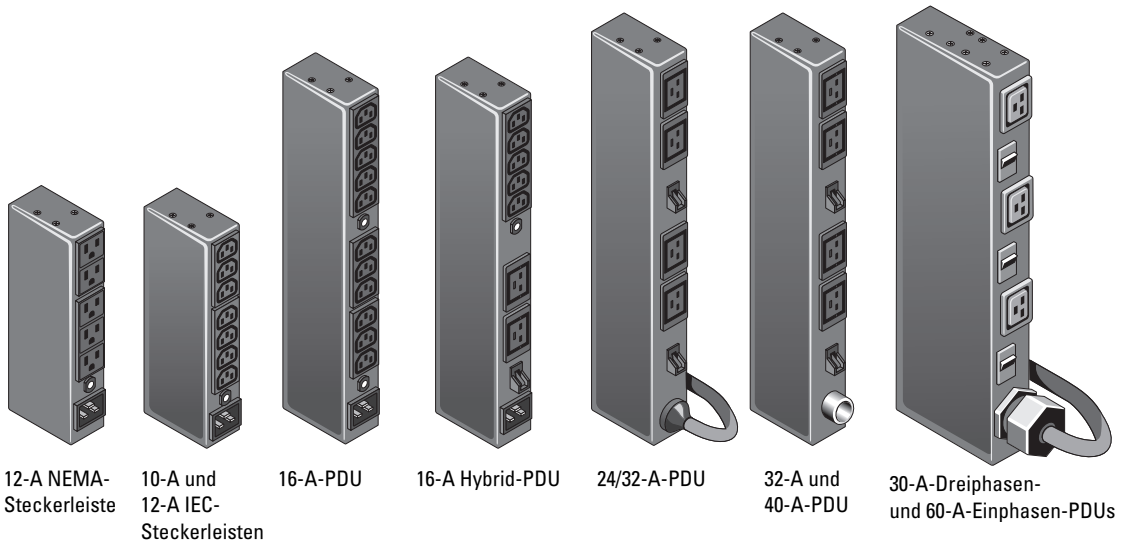
Beachten Sie die folgenden Vorsichtsmaßnahmen für die Stabilität und Sicherheit des Racks. Spezielle Warnhinweise und Prozeduren finden Sie auch in der Installationsanleitung des Racks.

- Bevor Sie Arbeiten an einem Rack durchführen, überprüfen Sie, ob Ihr Rack entsprechend der Anleitung in der zugehörigen Rack-Installationsanleitung sicher aufgestellt wurde.
- Benutzen Sie Systeme oder Komponenten nicht als Trittfläche, wenn Sie an anderen Systemen oder Komponenten in einem Rack Arbeiten durchführen.

## PDU-Modelle

Die Steckerleisten und PDUs sind an die jeweiligen regionalen und nationalen Eingangs- und Ausgangsstecker angepasst. Es gibt zehn Grundkonfigurationen, die in Abbildung 1-1 dargestellt sind: Eine 12-A NEMA-Steckerleiste, eine 10-A IEC-Steckerleiste, eine 12-A IEC-Steckerleiste, ein 16-A-PDU, ein 16-A Hybrid-PDU, ein 24/32-A-PDU, ein 32-A-PDU, ein 40-A-PDU, ein 30-A Dreiphasen-PDU und ein 60-A-Einphasen-PDU. Die genaue Konfiguration und die Optionen der einzelnen Modelle erfahren Sie unter „PDU-Konfigurationen und technische Daten“.

Abbildung 1-1. PDU-Modelle



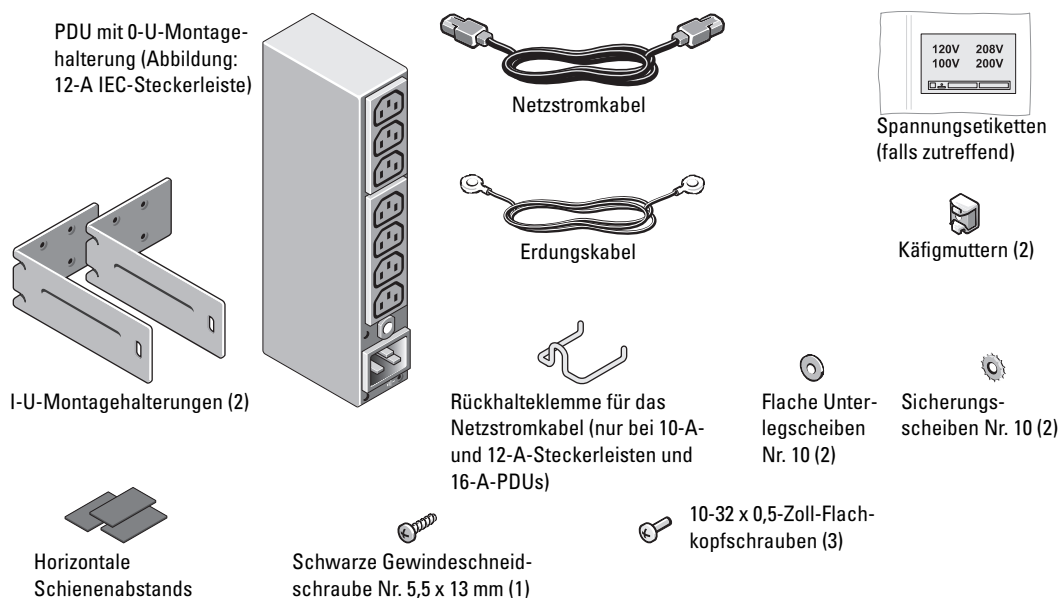
**ANMERKUNG:** Dell empfiehlt, an allen PDUs und Steckerleisten Etiketten mit Angabe der jeweiligen Netzspannung anzubringen. Im Lieferumfang des Rack-Kits befindet sich ein Päckchen mit Spannungsetiketten. Kennzeichnen Sie die Geräte jeweils mit den passenden Etiketten. Abbildung 1-2 zeigt den Lieferumfang des Kits und Abbildung 1-8 die empfohlene Etikettenpositionierung.

# PDU-Kit-Komponenten

Die in Abbildung 1-2 gezeigten Kit-Komponenten sind bei allen PDU-Modellen gleich.

- Ein PDU (mit 0-U-Montagehalterung)
- Netzstromkabel (je nach Modell in Länge und Art verschieden)
- Zwei 1-U-Montagehalterungen
- Drei 10-32 x 0,5-Zoll-Flachkopf-Schrauben
- Zwei Unterlegscheiben Nr. 10
- Eine **schwarze** Gewindeschneidschraube Nr. 5,5 x 13 mm
- Zwei Sicherungsscheiben Nr. 10
- Drei horizontale Schienenabstandsblöcke
- Zwei Käfigmuttern
- Ein Erdungskabel
- Eine Rückhalteklammer für das Netzstromkabel (nur bei 10-A- und 12-A-Steckerleisten und 16-A-PDUs)
- Ein Päckchen mit Spannungsetiketten zur Kennzeichnung der Netzspannung an PDUs und Steckerleisten durch die Kunden (falls zutreffend).

**Abbildung 1-2. Inhalt des Kits**





## Empfohlene Werkzeuge

- Kreuzschlitzschraubendreher der Größe 2
- Installationswerkzeug für Käfigmuttern (nur für 1-U-Installation)

## Ablauf der Installation

- 1 Feststellen der Wechselstromlast
- 2 Installation von PDU's in einem Rack
- 3 Befestigen des Erdungskabels
- 4 Verkabeln der PDU's

### Feststellen der Wechselstromlast

Bevor Sie einen PDU im Rack installieren, müssen Sie überprüfen, ob die Gesamtstromaufnahme aller am PDU angeschlossenen Systeme innerhalb der maximalen Belastbarkeit des PDU's liegt. Eventuell müssen Sie mehrere PDU's einsetzen, um einen ausreichenden Schutz der installierten Rack-Systeme und der Ausrüstung zu gewährleisten.

Die maximale Stromaufnahme der Geräte ist normalerweise im jeweiligen *Benutzerhandbuch* verzeichnet. Um den Gesamtstrom zu errechnen, addieren Sie die maximalen Stromwerte aller Komponenten, die Sie an den PDU anschließen möchten. Der Gesamtstrom darf den an der Seite des PDU's angegebenen Wert nicht überschreiten. Beispiel: Bei einem PDU mit einem maximalen Nennstrom von 16 A darf die Summe der Nennströme aller angeschlossenen Komponenten nicht 16 A überschreiten.



**HINWEIS:** Die maximale zulässige Wechselstromlast eines PDU's ist auf dem Etikett angegeben. Bei einer höheren als der angegebenen Last wird der Unterbrecher im PDU ausgelöst und die Stromzufuhr unterbrochen. Wenn die maximale Nenn-Stromlast eines PDU's überschritten wird, müssen mehrere PDU's installiert werden.

### Installation von PDU's in einem Rack

Der PDU kann entweder horizontal oder vertikal in einem Rack installiert werden. Bei der horizontalen Montage an der Rückseite des Racks nimmt der PDU so viel Platz ein wie eine Komponente von 1 U Breite. Bei der vertikalen oder horizontalen Montage an der Seite des Racks belegt der PDU keinen Komponenten-Platz. Dieses Installationsverfahren wird als 0-U-Montage bezeichnet, weil die Einheit auf eigenen Schienen an der Seite des Gestellschranks befestigt wird.



**ANMERKUNG:** Aufgrund der verschiedenen Rack-Ausführungsformen ist die 0-U-Montageoption nicht für alle Racks geeignet. Die 1-U-Montageposition ist für alle Racks geeignet, die den Spezifikationen des American National Standards Institute (ANSI)/Electrical Industries Association (IEC) standard ANSI/EIA-310-D-92, International Electrotechnical Commission (IEC) 297 und der Deutschen Industrie Norm (DIN) 41494 entsprechen.

## Installation von PDUs in der 0-U-Montageposition

Die senkrechten Außenschienen von Dell-Racks mit 42 U und 24 U sind mit Aussparungen versehen, durch die Sie die rückseitigen Anschlüsse des PDUs erreichen können. Wenn Sie einen PDU in einem Rack mit solchen Aussparungen installieren, setzen Sie den PDU so an, dass der Stecker am PDU von außen durch die Öffnung zugänglich ist (siehe Abbildung 1-3).



**ANMERKUNG:** Eine solche Aussparung für einen Zugang zu den Steckern ist nicht bei allen vertikalen 0-U-Einbaupositionen vorhanden. Außerdem ist durch die Öffnung in der Schiene nur einer der hinteren Stecker des PDUs erreichbar (siehe Abbildung 1-3).

Die empfohlene 0-U-Montageposition für die 10-A- und 12-A-Steckerleisten, den 16-A-PDU, den 30-A-Dreiphasen-PDU und den 60-A-Einphasen-PDU ist die äußere vertikale Schiene auf der Rückseite des Racks. An jeder vertikalen Schiene eines 42-U-Racks können bis zu sechs 10-A- oder 12-A-Steckerleisten und bis zu vier 16-A-PDUs, 30-A-Dreiphasen-PDUs oder 60-A-Einphasen-PDUs befestigt werden. An den horizontalen Schienen eines 42-U-Racks lassen sich jeweils eine 16-A-PDU, 30-A-Dreiphasen-PDU oder 60-A-Einphasen-PDU befestigen. An jeder vertikalen Schiene eines 24-U-Racks können bis zu drei 10-A- oder 12-A-Steckerleisten und bis zu zwei 16-A-PDUs, 30-A-Dreiphasen-PDUs oder 60-A-Einphasen-PDUs befestigt werden. Die 0-U-Montagepositionen bei einem 42-U-Rack sind in Abbildung 1-3 dargestellt.

Die empfohlene 0-U-Montageposition für 24/32-A-, 32-A- und 40-A-PDUs sind die äußeren horizontalen Schienen eines 42-U-Racks und die hinteren vertikalen Schienen eines 24-U-Racks. Die 0-U-Montagepositionen bei einem 42-U-Rack sind in Abbildung 1-3 dargestellt.

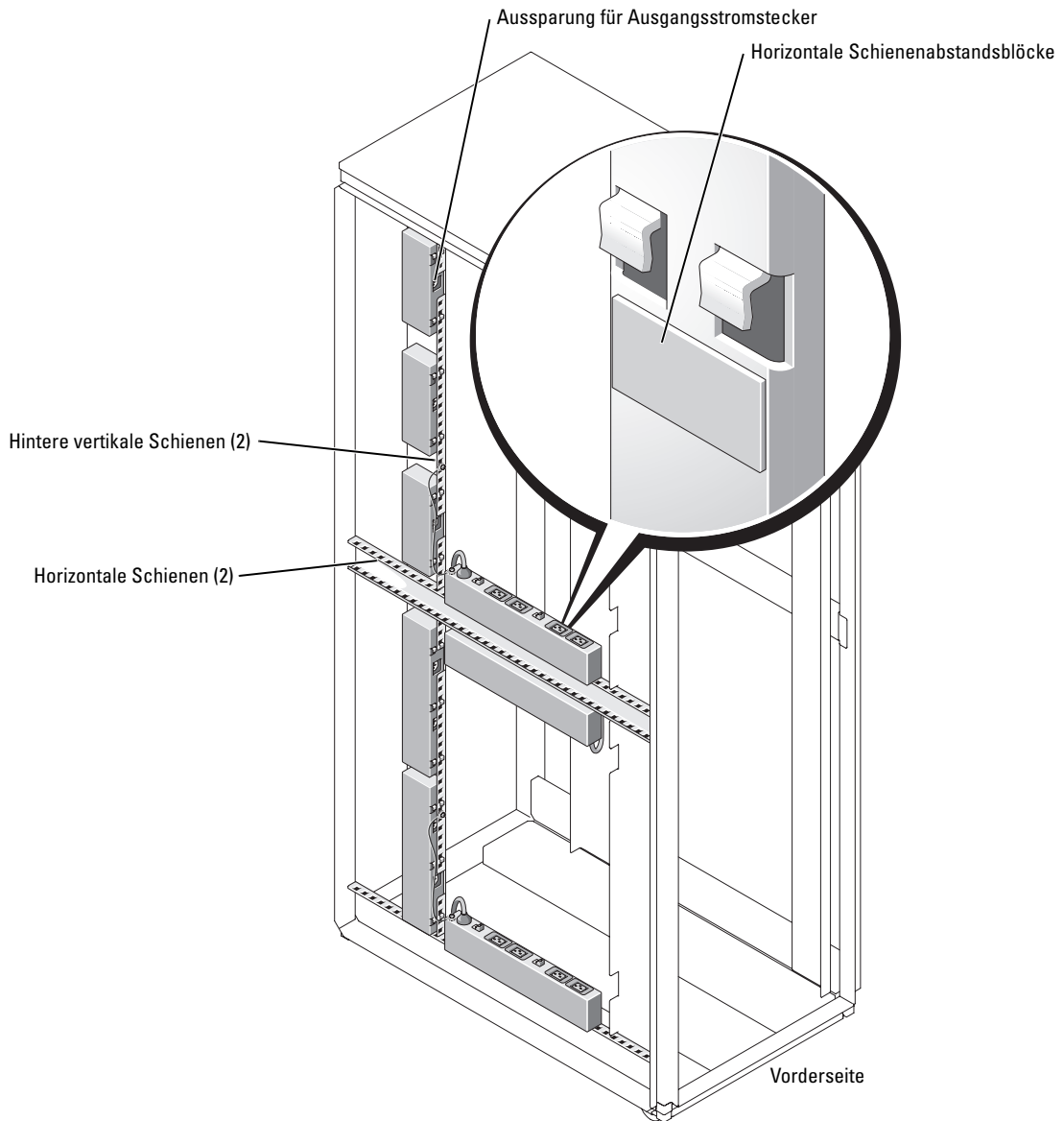
Zur Installation eines PDUs im 0-U-Einbauplatz an der Seite eines Racks gehen Sie wie folgt vor:

- 1 Entfernen Sie die Seitenteile des Racks.  
Anweisungen zum Abnehmen der Seitenteile finden Sie in der mit dem Rack mitgelieferten Dokumentation.
- 2 Suchen Sie eine geeignete Einbauposition für den PDU an der vertikalen oder horizontalen Schiene, die möglichst nah am System liegt, das mit Strom versorgt werden soll.  
Überprüfen Sie, ob alle an den PDU anzuschließenden Stromkabel die gewählte PDU-Position auch erreichen.



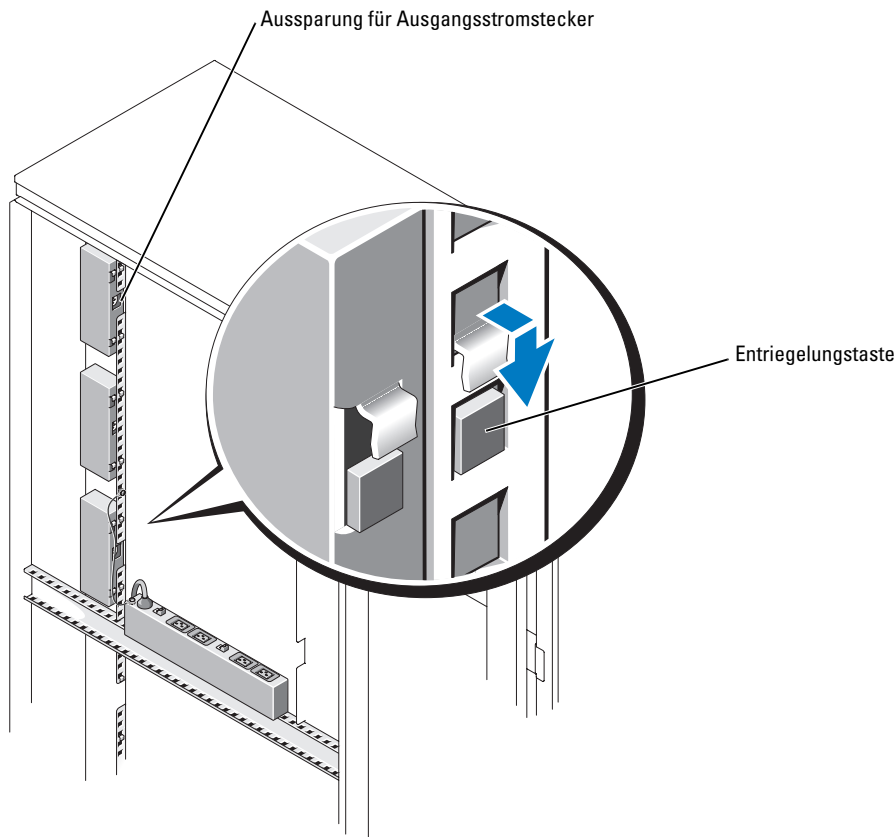
**ANMERKUNG:** Wenn Sie einen PDU an der horizontalen Schiene befestigen, müssen Sie die selbstklebenden Abstandsböcke an der PDU-Rückseite anbringen, um einen sicheren Sitz zu gewährleisten. Platzieren Sie einen Abstandsblock neben jedem Paar Montagehaken (siehe Abbildung 1-3).

**Abbildung 1-3. 0-U-Montagepositionen bei PDU-Systemen**



- 3 Positionieren Sie den PDU so, dass die Montagehaken in die rechteckigen Löcher der vertikalen oder horizontalen Schiene eingreifen.
- 4 Drücken Sie den PDU nach unten, bis die Montagehaken in den rechteckigen Löchern sitzen, der Entriegelungsknopf herauspringt und ein Klicken zu hören ist (siehe Abbildung 1-4).

**Abbildung 1-4. PDU-Installation (vertikale 0-U-Montageposition)**



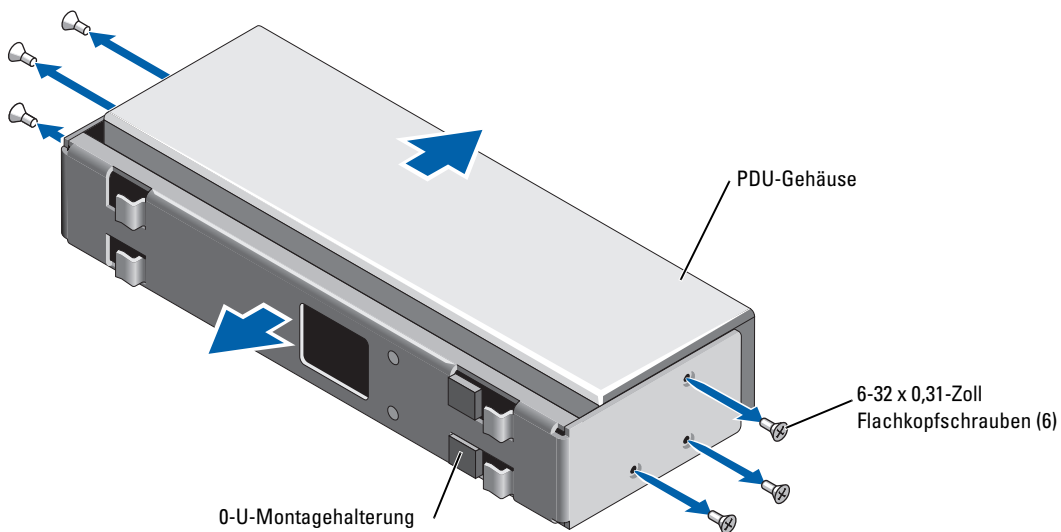
### **Installation von PDUs in 1-U-Montageposition**

Die empfohlene 1-U-Montageposition für einen PDU ist die Rack-Rückseite möglichst nah an den installierten Geräten, die mit Strom versorgt werden sollen. Die Befestigungsklammern können an den Seiten des PDUs angebracht werden, um eine Ausrichtung nach hinten oder vorne zu realisieren. Unabhängig davon, für welche PDU-Ausrichtung Sie sich entscheiden, stellen Sie sicher, dass das Kabel genug Spiel hat, um das angeschlossene System zu Wartungszwecken verschieben zu können.

Zur horizontalen Installation eines PDU im 1-U-Einbauplatz an der Rückseite eines Racks gehen Sie wie folgt vor:

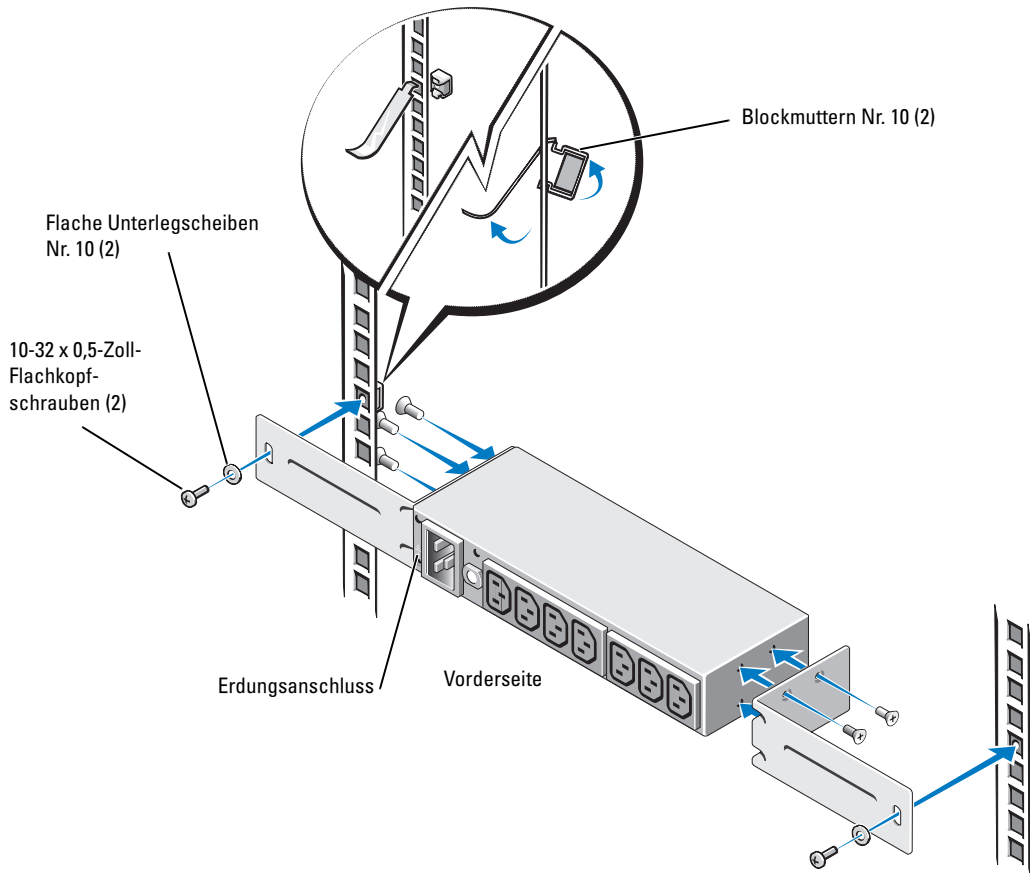
- 1 Öffnen Sie die vorderen und hinteren Türen des Gestellschranks.
- 2 Suchen und markieren Sie die Position für den PDU in der untersten möglichen Einbauposition für eine Einheit (1 U) oder möglichst nah an den Systemen, die mit Strom versorgt werden sollen. Überprüfen Sie, ob alle an den PDU anzuschließenden Stromkabel die gewählte PDU-Position auch erreichen.
- 3 Entfernen Sie die sechs 6-32 x 0,31-Zoll-Flachkopfschrauben von den Enden des PDU-Gehäuses und nehmen Sie die 0-U-Montagehalterung vom PDU-Gehäuse ab.  
Bewahren Sie diese Schrauben für die spätere Montage der 1-U-Montagehalterungen in Schritt 4 auf (siehe Abbildung 1-5).

**Abbildung 1-5. Abnehmen der 0-U-Montagehalterung**




- 4 Befestigen Sie die zwei 1-U-Montagehalterungen mit den in Schritt 3 entfernten Schrauben am PDU-Gehäuse (siehe Abbildung 1-6). Ziehen Sie die Schrauben fest (Drehmoment ca. 0,7-0,9 Nm).
- 5 Befestigen Sie die Blockmuttern in den zweiten Löchern der gewählten 1-U-Position an den Schienen.
- 6 Positionieren Sie den PDU und befestigen Sie die Einheit mit Schrauben und Unterlegscheiben (siehe Abbildung 1-6). Ziehen Sie die Schrauben fest an (Drehmoment ca. 1,4-1,8 Nm).

**Abbildung 1-6. PDU-Installation (horizontale 1-U-Montageposition)**




## Befestigen des Erdungskabels

- 1 Schließen Sie das Erdungskabel an das PDU-Gehäuse an, indem Sie die 10-32 x 0,5-Zoll-Schraube durch die Öse des Erdungskabels und dann durch die Sicherungsscheibe führen. Befestigen Sie anschließend die Schraube am Erdungsanschluss auf der Vorderseite des PDUs (siehe Abbildung 1-6).

 **ANMERKUNG:** Verwenden Sie nur das Erdungsloch mit Gewinde am PDU, das mit dem Erdungssymbol gekennzeichnet ist. Dieses Loch befindet sich am Ende des PDUs neben dem Stromeingang (siehe Abbildung 1-6).


Befestigen Sie die Schraube so, dass die Unterlegscheibe eng am Metall der PDU-Gehäuses anliegt.

 **ANMERKUNG:** Eine feste Verbindung ist unerlässlich, damit die Unterlegscheibe durch die Lackierung des PDU-Gehäuses mit dem Metall in Kontakt kommt (Drehmoment ca. 1,4-1,8 Nm).

- 2 Schließen Sie das freie Ende des PDU-Erdungskabels am Rackrahmen an, indem Sie die Gewindeschneidschraube durch die Öse des Erdungskabels und dann durch die Unterlegscheibe führen (siehe Abbildung 1-7).

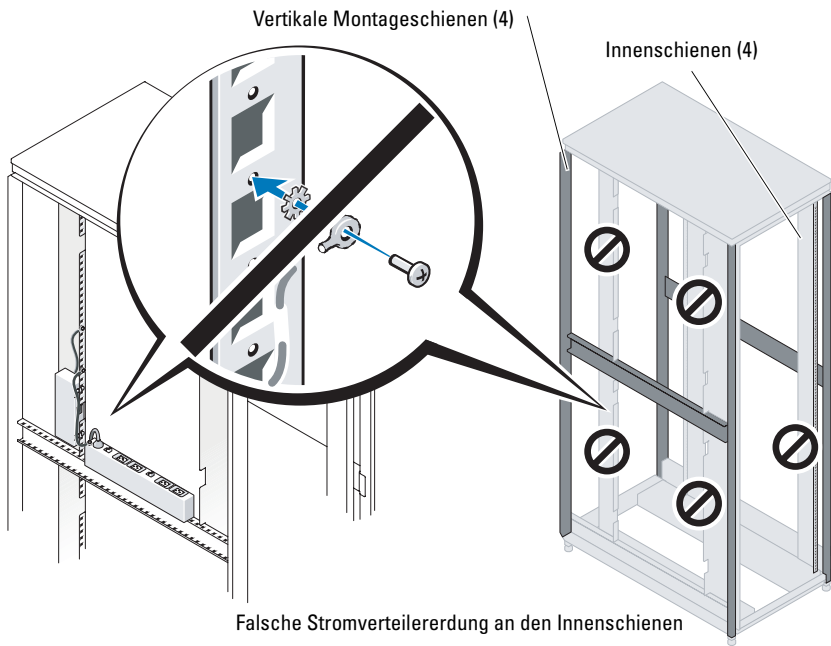
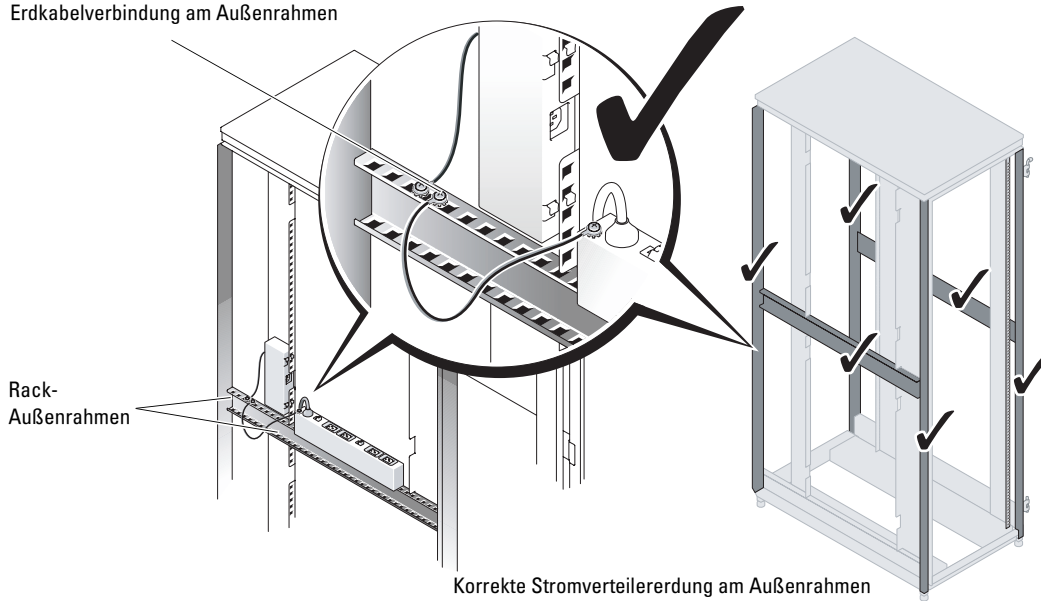
 **VORSICHT:** Verwenden Sie keine der inneren vier Rack-Stützen als Befestigungspunkt für das Erdungskabel. Wenn Sie das Kabel am Rack erden, wählen Sie als Befestigungspunkt nur eines der Löcher in den äußeren Elementen des Rackrahmens, wie in Abbildung 1-7 dargestellt.

Befestigen Sie die schwarze Gewindeschneidschraube in einem der Rundlöcher des Rackrahmens, so dass die Kerbzahnscheibe in Kontakt mit dem blanken Metall des Racks steht (Drehmoment ca. 2,7-3,4 Nm, siehe Abbildung 1-7).

 **ANMERKUNG:** Eine feste Verbindung ist unerlässlich (Drehmoment ca. 2,7-3,4 Nm), damit die Unterlegscheibe durch die Lackierung der vertikalen Rack-Montageschiene hindurch mit dem Metall in Kontakt kommt.

### Abbildung 1-7. PDU-Erdungsanschluss

Erdkabelverbindung am Außenrahmen





## Verkabeln der PDUs

Mit welchem Verfahren Sie Ihre Rack-Komponenten an eine Steckerleiste oder einen PDU anschließen, hängt von verschiedenen Faktoren ab.

Bei 10-A- und 12-A-Steckerleisten, 16-A-, 24/32-A-PDUs, 30-A-Dreiphasen-PDUs und 60-A-Einphasen-PDUs werden verschiedene Eingangs- und Ausgangskabel mitgeliefert, die den jeweiligen nationalen und regionalen Bestimmungen entsprechen. Jede Steckerleiste und jeder PDU wird mit zwei regionsspezifischen Eingangskabeln geliefert, manche auch mit mehreren, verschieden langen Standardausgangskabeln nach IEC 60320 sowie einem NEMA-IEC-Adapterkabel. Die Eingangsstromkabel für 10-A- und 12-A-Steckerleisten sowie 16-A-PDUs sind abnehmbar. Die abnehmbaren Stromkabel werden mit einer Halterung für das PDU-Gehäuse geliefert, die einen sicheren Sitz des Netzstromsteckers am PDU gewährleistet. Der Netzstromeingang des 24/32-A-PDU, des 30-A-Dreiphasen-PDU und des 60-A-Einphasen-PDU ist fest installiert.

Die 32-A- und 40-A-PDUs werden direkt über Anschlussklemmen mit dem Netzstrom verbunden; diese Arbeit ist von einem zugelassenen Elektriker durchzuführen. Die 32-A- und 40-A-PDUs werden mit mehreren Ausgangsstromkabeln geliefert, die den jeweiligen nationalen und regionalen Bestimmungen entsprechen. Eingangskabel und Leitungsrohr befinden sich nicht im Lieferumfang von 32-A- und 40-A-PDUs.



**VORSICHT:** Wenn PDUs über Anschlussklemmen direkt mit der Wechselstromquelle verbunden werden, ist diese Arbeit von einem zugelassenen Elektriker durchzuführen. Befolgen Sie immer die lokalen und nationalen Bestimmungen Ihres Standorts für elektrische Anlagen.

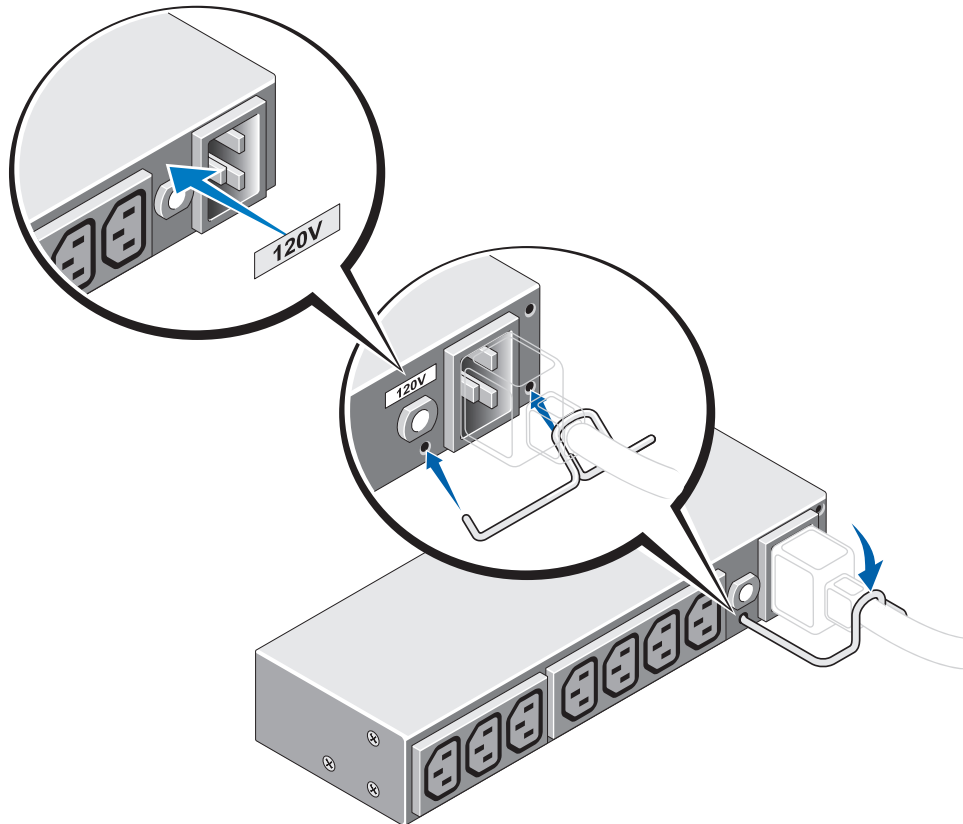
### Befestigen des Eingangsstromkabels und der Rückhalteklammer bei 10-A- und 12-A-Steckerleisten sowie 16-A-PDU

- 1 Verbinden Sie das Eingangsstromkabel mit dem PDU.
- 2 Schieben Sie die Enden der Halteklammer in die zwei Löcher neben dem Eingangsstromstecker, und schwenken Sie die Klammer nach unten, bis sie fest am Stromkabel anliegt (siehe Abbildung 1-8).



**ANMERKUNG:** Um bestmöglichen Halt zu erreichen, üben Sie auf beiden Seiten der Kabelhalteklammer gleiche Kraft aus, bis sie das Stromkabel fest umschließt.

Abbildung 1-8. Halteklemme für Netzstromkabel anbringen

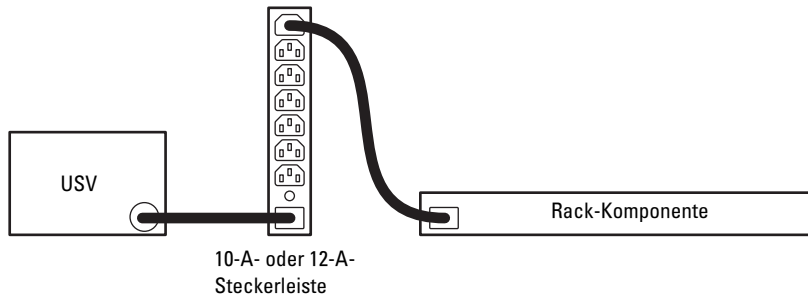


**ANMERKUNG:** Dell empfiehlt, an allen PDUs und Steckerleisten Etiketten mit Angabe der jeweiligen Netzspannung anzubringen. Zum Inhalt des Rack-Kits gehört gegebenenfalls ein Päckchen mit Spannungsetiketten. Kennzeichnen Sie die Geräte jeweils mit den passenden Etiketten. Abbildung 1-2 zeigt den Lieferumfang des Kits und Abbildung 1-8 die empfohlene Etikettenpositionierung.

### Verkabelung von 10-A- und 12-A-Steckerleisten

10-A- und 12-A-Steckerleisten eignen sich auch als Verlängerung von einer USV (siehe Abbildung 1-9).

**Abbildung 1-9. 10-A- und 12-A-Steckerleisten mit einer USV verkabeln**

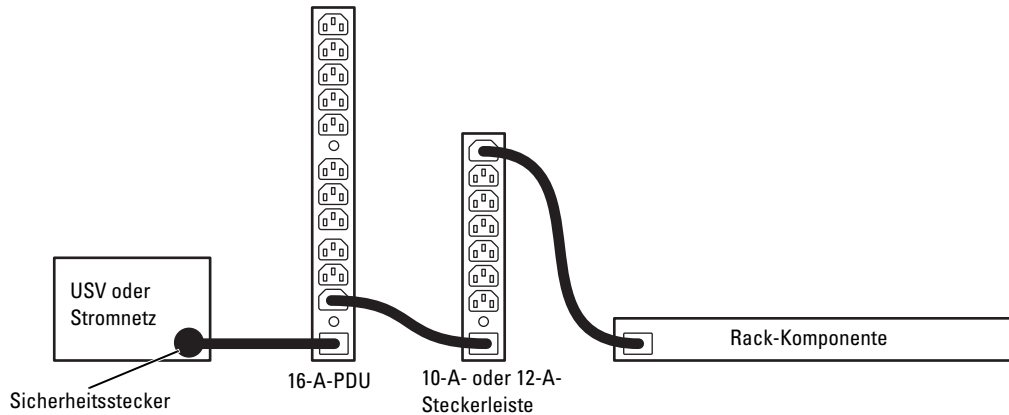


10-A- und 12-A-Steckerleisten lassen sich auch als Verlängerung von 16-A-, 24/32-A-, 32-A- und 40-A-PDUs verwenden (siehe Abbildung 1-10). Tabelle 1-1 enthält die maximale Anzahl von Steckerleisten am jeweiligen PDU.

**Tabelle 1-1. Maximale Anzahl von Steckerleisten je PDU**

PDU-Modell	Maximale kombinierte Stromstärke je PDU	Maximale Anzahl von 10-A-Steckerleisten	Maximale Anzahl von 12-A-Steckerleisten
16-A PDU	16 A	1	1
24/32-A-PDU	24/32 A	2	2
32-A-PDU	32 A	4	nicht zutreffend
40-A-PDU	40 A	nicht zutreffend	4
30-A-Dreiphasen-PDU	30 A	3	2
60-A-Einphasen-PDU	60 A	3	3

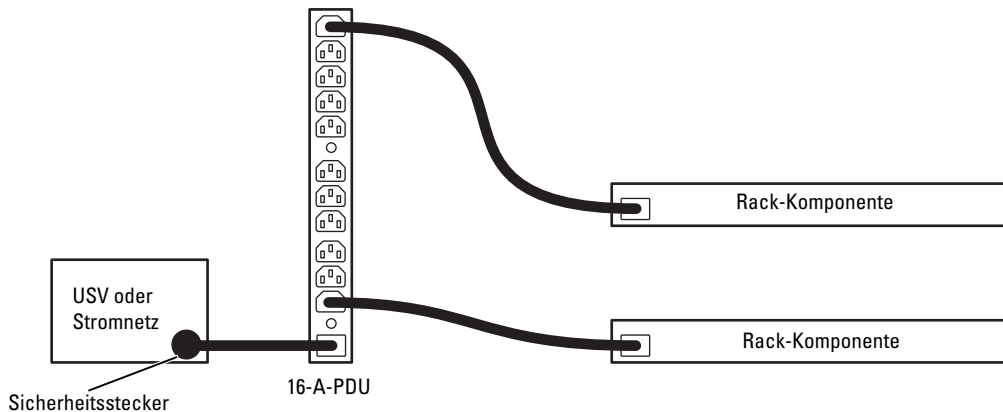
**Abbildung 1-10. 10-A- und 12-A-Steckerleiste mit einer PDU verkabeln**



### Verkabelung von 16-A-PDUs

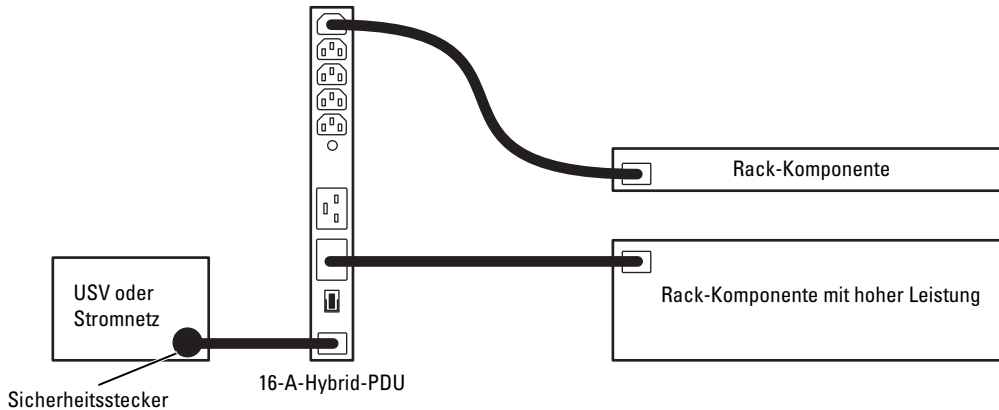
16-A-PDUs eignen sich auch als Verlängerung von einer USV oder vom Wechselstromnetz. Der Eingangsstecker verfügt über einen Einrastmechanismus und sorgt so für einen ordnungsgemäßen, geerdeten Stromanschluss. Der 16-A-PDU verfügt über 13 Standardausgänge nach IEC 60320 - C13 für den Anschluss von Rack-Komponenten mit hoher Leistung (siehe Abbildung 1-11).

**Abbildung 1-11. 16-A-PDU mit einer USV oder Wechselstromquelle verkabeln**



Die 16-A Hybrid-PDUs eignen sich auch als Verlängerung von einer USV oder vom Wechselstromnetz. Der Eingangsstecker verfügt über einen Einrastmechanismus und sorgt so für einen ordnungsgemäßen, geerdeten Stromanschluss. 16-A-Hybrid-PDUs verfügen über sieben Standard-Ausgänge nach IEC 60320 - C13 und zwei Ausgänge nach IEC 60320 - C19 für den Anschluss von Rack-Komponenten mit hoher Leistung (siehe Abbildung 1-12).

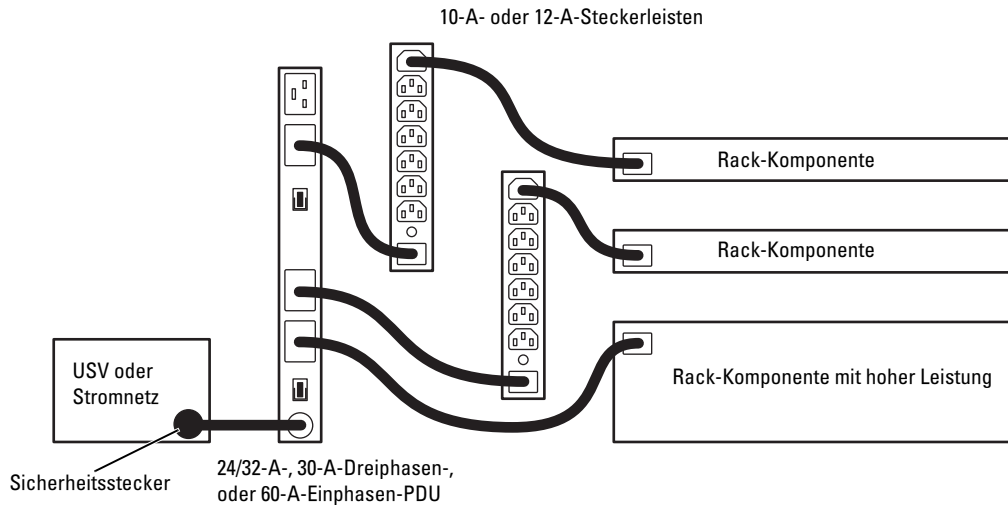
**Abbildung 1-12. 16-A-Hybrid-PDU mit einer USV oder Wechselstromquelle verkabeln**



### **Verkabeln von 24/43-A-, 30-A-Dreiphasen- und 60-A-Einphasen-PDUs**

24/32-A PDUs eignen sich auch als Verlängerung von einer USV oder vom Wechselstromnetz. Der Eingangsstecker verfügt über einen Einrastmechanismus und sorgt so für einen ordnungsgemäßen, geerdeten Stromanschluss. 24/32-A-PDUs verfügen über vier Ausgänge nach IEC 50320 - C19 für den Anschluss von Rack-Komponenten mit hoher Leistung. 30-A-Dreiphasen-PDUs und 60-A-Einphasen-PDUs verfügen über drei Ausgänge nach IEC 60320 - C19 für den Anschluss von Rack-Komponenten mit hoher Leistung. Bis zu zwei 12-A- oder bis zu drei 10-A-Steckerleisten können als Verlängerung von einer 24/32-A-PDU, 30-A-Dreiphasen-PDU oder 60-A-Einphasen-PDU verwendet werden (siehe Abbildung 1-13).

**Abbildung 1-13. 24/32-A-, 30-A-Dreiphasen- oder 60-A-Einphasen-PDU mit einer USV oder Wechselstromquelle verkabeln**



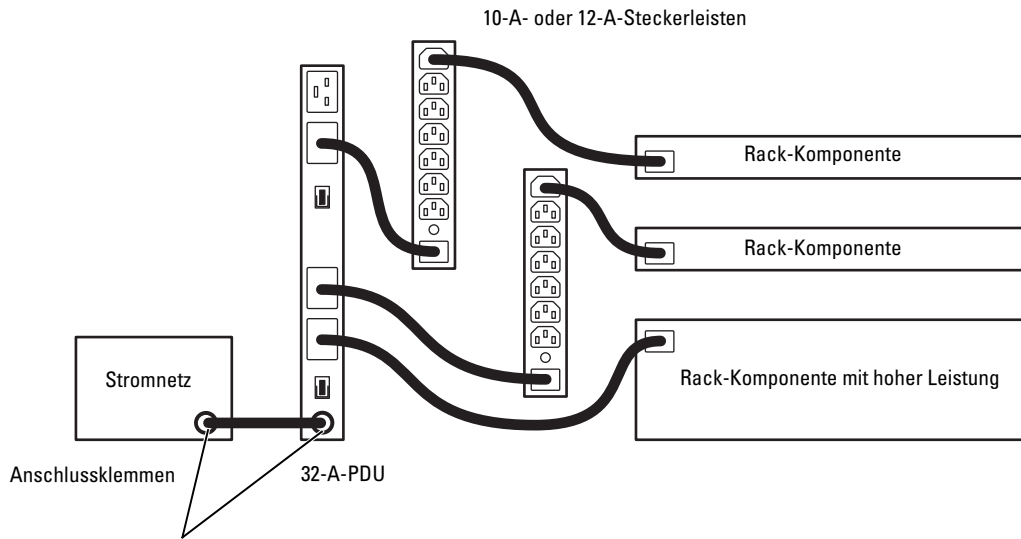
### **Verkabeln von 32-A- und 40-A-PDUs**

32-A- und 40-A-PDUs können als Verlängerung von einer Wechselstromquelle verwendet werden. 32-A- und 40-A-PDUs werden über Anschlussklemmen direkt mit der Wechselstromquelle verbunden. Bis zu vier 10-A-Steckerleisten können als Verlängerung von einer 32-A-PDU verwendet werden, solange der kombinierte Gesamtstrom 32 A nicht übersteigt. Bis zu vier 12-A-Steckerleisten können als Verlängerung von einer 40-A-PDU verwendet werden, solange der kombinierte Gesamtstrom 32 A nicht übersteigt (siehe Abbildung 1-14).



**VORSICHT: Wenn PDUs über Anschlussklemmen direkt mit der Wechselstromquelle verbunden werden, ist diese Arbeit von einem zugelassenen Elektriker durchzuführen. Befolgen Sie immer die lokalen und nationalen Bestimmungen Ihres Standorts für elektrische Anlagen.**

**Abbildung 1-14. 32-A- oder 40-A-PDU mit einer Wechselstromquelle verkabeln**



# PDU-Konfigurationen und technische Daten

**Tabelle 1-2. PDU-Stromkonfigurationen**

Modell	Eingangsspannung	Maximalstrom	Unterbrecher (Anzahl)
12-A NEMA-Steckerleiste	100 V, 120 V	15 A	15 A (1)
10-A IEC-Steckerleiste	230 V	10 A	10 A (1)
12-A IEC-Steckerleiste	100 V, 120 V, 208 V	15 A	15 A (1)
16-A-PDU	120 V, 208 V, 230 V	16 A	15 A (2)
16-A-Hybrid-PDU	120 V, 208 V, 230 V	16 A	15 A (1), 20 A (1)
24/32-A-PDU	120 V, 208 V	24 A	20 A (2)
	230 V	32 A	
32-A-PDU	230 V	32 A	20 A (2)
40-A-PDU	120 V, 208 V	40 A	20 A (2)
30-A-Dreiphasen-PDU	208 V, 230 V	30 A	20 A (3)
60-A-Einphasen-PDU	208 V, 230 V	60 A	20 A (3)

**Tabelle 1-3. PDU-Steckerkonfigurationen**

Modell	Eingangsstecker	Ausgangsstecker (Anzahl/Anordnung)
12-A NEMA-Steckerleiste	IEC 60320 – C14	NEMA 5 – 15R (5 vorne)
10-A IEC-Steckerleiste	IEC 60320 – C14	IEC 60309 – C13 (7 vorne, 1 hinten)
12-A IEC-Steckerleiste	IEC 60320 – C14	IEC 60309 – C13 (7 vorne, 1 hinten)
16-A-PDU	IEC 60320 – C20	IEC 60309 – C13 (11 vorne, 2 hinten)
16-A-Hybrid-PDU	IEC 60320 – C20	IEC 60320 – C13 (5 vorne, 2 hinten)
		IEC 60320 – C19 (2 vorne)
24/32-A-PDU	fest	IEC 60320 – C19 (4 vorne)
32-A-PDU	Anschlussklemme	IEC 60320 – C19 (4 vorne)
40-A-PDU	Anschlussklemme	IEC 60320 – C19 (4 vorne)
30-A-Dreiphasen-PDU	fest	IEC 60320 – C19 (3 vorne)
60-A-Einphasen-PDU	fest	IEC 60320 – C19 (3 vorne)



	Steckerleisten			PDUs						
	12-A NEMA	10-A IEC	12-A IEC	16-A	16-A Hybrid	24/32-A	32-A	40-A	30-A Drei- phasen	60-A Einphase
<b>Anschlusswerte</b>										
Max. Eingangsstrom	15 A	10 A	15 A	20 A	20 A	24/32 A	32 A	40 A	30 A	60 A
Wärmeabgabe (nominal)	30 BTU/h	30 BTU/h	30 BTU/h	45 BTU/h	45 BTU/h	45 BTU/h	45 BTU/h	45 BTU/h	45 BTU/h	45 BTU/h
Eingangswchselspannung	100 V, 120 V	230 V	120 V, 208 V	100 V, 120 V, 200 V, 208 V, 230 V	100 V, 120 V, 200 V, 208 V, 230 V	120 V, 208 V, 230 V	230 V	120 V, 208 V	208 V, 230 V	208 V, 230 V
<b>Abmessungen und Gewicht</b>										
Höhe cm	23,98	23,98	23,98	38,81	38,81	43,82	43,82	43,82	38,81	38,81
Breite cm	4,37	4,37	4,37	4,37	4,37	4,37	4,37	4,37	4,37	4,37
Tiefe cm	9,30	9,30	9,30	9,30	9,30	9,30	9,30	9,30	11,58	11,58
Gewicht kg	0,91	0,91	0,91	1,52	1,62	3,33	3,33	3,33	2,20	2,20
<b>Umgebungsbedingungen</b>										
Temperatur:										
Betrieb	0°-45 °C			0°-45 °C						
Lagerung	-25°-65 °C			-25°-65 °C						
Relative Luftfeuchtigkeit	0%-95% (nicht-kondensierend)			0%-95% (nicht-kondensierend)						
Maximale Erschütterung:										
Betrieb	0,5 G bei 5-15 Hz, 60 min lang			0,5 G bei 5-15 Hz, 60 min lang						
Lagerung	0,75 G bei 5-15 Hz, 60 min lang			0,75 G bei 5-15 Hz, 60 min lang						
Höhe ü. NN:										
Betrieb	0-3000 m			0-3000 m						
Lagerung	0-15000 m			0-15000 m						



# Index

## A

Ablauf der Installation, 63

## E

Empfohlene Werkzeuge, 63

## I

Installation

0-U-Position, 64

1-U-Position, 66

## K

Kit-Komponenten, 62

## P

PDU

Definition, 59

PDU-Modelle, 61

10 A, 61

12 A NEMA, 61

12-A IEC, 61

16 A, 61

16 A Hybrid, 61

24/32 A, 61

30-A-Dreiphasen, 61

32 A, 61

40 A, 61

60-A-Einphase, 61

## R

Rückhalteklemme für  
Eingangsstromkabel  
Montage, 71

## S

Sicherheitshinweise

Allgemeine

Vorsichtsmaßnahmen, 59

Rack-montierbare

Produkte, 61

Steckerleiste

Definition, 59

## V

Verkabeln der PDUs, 71

Verkabelung

16-A-PDUs, 74

24/32-A-PDUs, 75

32-A-PDUs, 76

40-A-PDUs, 76

## W




Werkzeuge

Empfehlung, 63



# Dell™ RapidPower 配電ユニット 取り付けガイド

## メモ、注意、警告

-  **メモ**：コンピュータを使いやすくするための重要な情報を説明しています。
-  **注意**：ハードウェアの損傷やデータの損失の可能性を示し、その危険を回避するための方法を説明しています。
-  **警告**：物的損害、けが、または死亡の原因となる可能性があることを示しています。

---

本書の内容は予告なく変更されることがあります。

© 2007 すべての著作権は Dell Computer Corporation にあります。

Dell Computer Corporation の書面による許可のない複製は、いかなる形態においても厳重に禁じられています。

本書に使用されている商標：Dell および DELL ロゴは Dell Computer Corporation の商標です。

本書では、必要に応じて上記以外の商標や会社名が使用されている場合がありますが、それらの商標や会社名は、一切 Dell Computer Corporation に帰属するものではありません。

# 目次

<b>警告：安全にお使いいただくための注意</b> . . . . .	<b>87</b>
一般的な注意事項 . . . . .	87
ラックに設置可能な製品に関する注意事項 . . . . .	89
<b>PDU のモデル</b> . . . . .	<b>89</b>
<b>PDU キットのコンポーネント</b> . . . . .	<b>90</b>
<b>推奨するツール</b> . . . . .	<b>91</b>
<b>取り付け手順</b> . . . . .	<b>91</b>
AC 電流負荷の判断 . . . . .	91
PDU のラックへの取り付け . . . . .	91
アース線の取り付け . . . . .	97
PDU のケーブル接続 . . . . .	98
<b>PDU の構成および技術仕様</b> . . . . .	<b>105</b>
<b>索引</b> . . . . .	<b>107</b>







本書では、Dell™ RapidPower 配電ユニット (PDU) を 42 ユニット (U) および 24 U のラックキャビネットに取り付ける方法を説明します。PDU には 2 種類の基本タイプがあります。標準の PDU にはロック式の入力電源ケーブルコネクタが付属しますが、電源タップはロックコネクタを必要としません。


電源タップと PDU を取り付ける方法には、ユニットに付いている取り付けブラケットを使用して 0-U 取り付け範囲 (側面パネルと部品取り付けスペースの間の、ラックに何も取り付けられていない範囲) に取り付けする方法と、キットに付属する取り付けブラケットを使用して 1-U 構成として取り付けする方法があります。

## 警告 : 安全にお使いいただくための注意

ご自身の身体の安全を守り、システムおよびその部品を損傷から保護するために、以下の安全に関するガイドラインに従ってください。

この安全に関する項では、警告アイコン () を使用して、確認および遵守する必要がある注意事項を示しています。安全および規制の詳細については、システムに付属の『製品情報ガイド』を参照してください。保証に関する情報は、『サービス&サポートのご案内』を参照してください。

 **警告** : お手持ちの PDU は、ラックキャビネットで使用する部品として安全性が保証されています。最終的に組み合わせた PDU およびラックキャビネットについては、ユーザーの責任において、適用される安全基準および地域の電気規約の要件に適合することを確認してください。デルではこのような組み合わせは保証しておらず、いかなる責任も負いません。

 **警告** : 漏れ電流はすべての負荷装置 (コンピュータ機器) から発生します。電源の接続にはロックプラグを使用することを推奨します。ロックプラグを使用しない場合は、電源接続ごとの電流が 3.5 mA を超えないようにしてください。資格のある電気技術者に依頼して、アースが適切に取られていることを確認してください。

## 一般的な注意事項

システムはラックの一部とみなします。したがって、「コンポーネント」には、さまざまな周辺機器やサポートハードウェアと同様に、システムも含まれます。

PDU を設置するときは、以下の一般的な注意に従ってください。

- サービスマークを確認し指示に従ってください。デルのシステムマニュアルに記載されている以外の製品には触れないでください。稲妻の絵の三角形の記号が付いたカバーを開けたり取り外したりしないでください。感電の危険性があります。トレーニングを受けたサービス技術者以外の方は、これらの実装部のコンポーネントには触れないでください。
- 電源回路が国および地域の電気規約および規則のすべてに適合することを確認してください。

- 次のいずれかの状況が発生した場合はし、コンセントから製品の電源ケーブルを抜いて、部品を交換するか、トレーニングを受けたサービス業者にご相談ください。
  - 電源ケーブル、延長ケーブル、または電源プラグが損傷した。
  - 製品に異物が入った。
  - 製品が水に濡れた。
  - 製品が落下した、または損傷した。
  - 操作手順を実行しても、製品が正しく作動しない。
- 適切な外部電源を使用してください。製品には、電気定格ラベルに記載された種類の電源以外を使用しないでください。適切な電源の種類が不明な場合は、サービス業者または最寄りの電力会社にお尋ねください。
- お使いの PDU またはシステムに付属の電源ケーブル以外は使用しないでください。
- コンポーネントを PDU に接続するために使用する電源ケーブルは、そのコンポーネントの電源定格レベルに記載されている電圧および電流に準拠する必要があります。電源ケーブルの電圧定格および電流定格は、コンポーネントに記載されている定格を上回っている必要があります。
- 感電を避けるために、PDU の入力電源ケーブルを、正しくアースされたコンセントに接続してください。これらの電源ケーブルには、正しくアースするために三芯プラグが使用されています。アダプタプラグを使用したり、アース用のピンを電源ケーブルから取り外したりしないでください。延長ケーブルは使用しないでください。
- 延長ケーブルまたは電源タップに接続するすべての製品について、それぞれの延長ケーブルおよび電源タップの合計の電流定格が、国および地域の電気規約および規則に適合していることを確認してください。
- システムケーブルと電源ケーブルを慎重に配線します。システムケーブル、電源ケーブル、プラグは、人が踏んだりつまずいたりするおそれのないように配線します。システム部品のケーブルや電源ケーブルの上に物を載せないでください。
- PDU または電源ケーブルを改造しないでください。設置場所を変更する場合は、資格を持った電気技術者または電力会社にご連絡ください。お使いの国および地域の電気規約および規則を常に遵守してください。
- ターミナルブロック接続で AC 主電源に PDU を直接取り付ける作業は、資格を持った電気技術者が行ってください。お使いの国および地域の電気規約および規則を常に遵守してください。

## ラックに設置可能な製品に関する注意事項

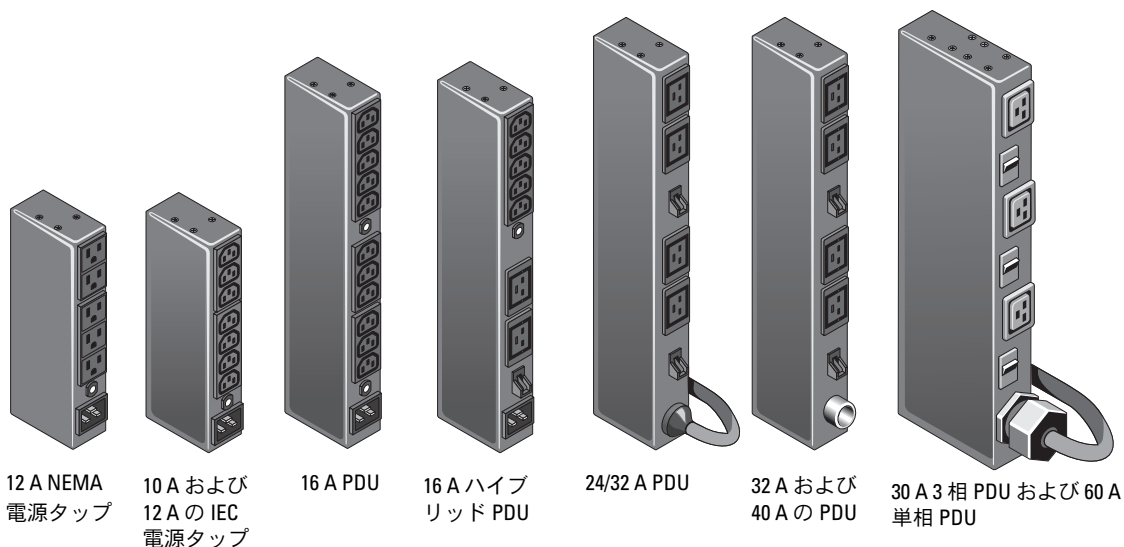
ラックの安定性や安全性に関して、以下の点にご注意ください。特定の警告や注意文および手順については、ラックに同梱されているラック取り付けマニュアルを参照してください。

- ラックの作業を開始する前に、お使いのラックがラック取り付けマニュアルの手順どおりに安全に取り付けられていることを確認してください。
- ラックに取り付けたほかのシステムやコンポーネントの作業中に、システムやコンポーネントの上に乗ったり、足をかけたりしないでください。

## PDU のモデル

電源タップおよび PDU には、各地域の仕様に基づく入出力プラグのオプションが用意されています。図 1-1 に示すように 10 種類の基本構成があります。12 A NEMA 電源タップ、10 A IEC 電源タップ、12 A IEC 電源タップ、16 A PDU、16 A ハイブリッド PDU、24/32 A PDU、32 A PDU、40 A PDU、30 A 3 相 PDU、および 60 A 単相 PDU の 10 種類です。各モデルおよびオプションに固有の構成情報については、「PDU の構成および技術仕様」を参照してください。

図 1-1 PDU のモデル



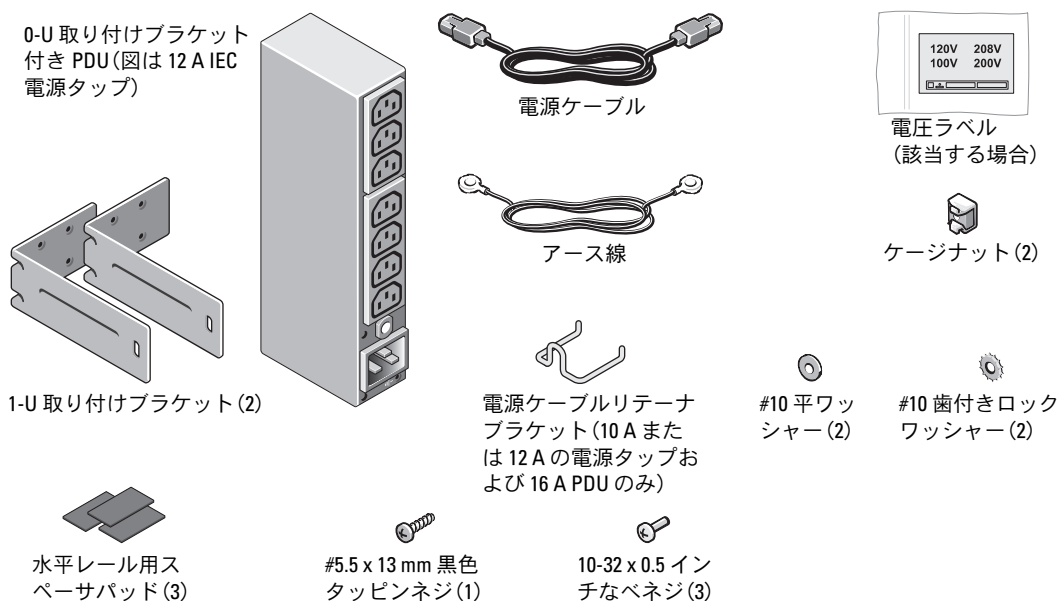
**メモ：**デルでは、PDU モデルと電源タップにそれぞれの電圧を記入したラベルを貼付することをお勧めします。ラックキットに含まれている電圧ラベルのパッケージを確認し、該当するモデルに貼付するラベルを選んでください。キットの内容については図 1-2 を、ラベルを貼り付ける正しい向きについては図 1-8 を参照してください。

## PDU キットのコンポーネント

キットのコンポーネント（図 1-2 を参照）は、PDU の全モデルとも共通です。

- PDU 1 台（0-U 取り付けブラケット付き）
- 電源ケーブル（モデルに応じて長さやタイプが異なる）
- 1-U 取り付けブラケット 2 個
- 10-32 x 0.5 インチなベネジ 3 本
- #10 平ワッシャー 2 個
- #5.5 x 13 mm 黒色タッピンネジ 1 本
- #10 歯付きロックワッシャー 2 個
- 水平レール用スペーサパッド 3 個
- ケージナット 2 個
- アース線 1 本
- 電源ケーブルリテーナブラケット 1 個（10 A または 12 A の電源タップおよび 16 A PDU のみ）
- PDU と電源タップの電圧確認用のラベルが入ったパッケージ 1 袋（該当する場合）

図 1-2 キットの内容



## 推奨するツール

- #2 プラスドライバー
- ケーシナット取り付け工具（1-U 取り付けの場合のみ）


## 取り付け手順

- 1 AC 電流負荷の判断
- 2 PDU のラックへの取り付け
- 3 アース線の取り付け
- 4 PDU のケーブル接続

### AC 電流負荷の判断


PDU をラックに取り付ける前に、PDU に接続予定の全システムの合計必要電力が、PDU の最大電流仕様の範囲内にあることを確認する必要があります。取り付けるラックシステムおよび装置を適切に保護するために、複数の PDU が必要になる場合もあります。

ラックに設置可能な大半の製品の最大電流要件は、『ユーザーズガイド』に記載されています。電流の合計値を求めるには、PDU に接続する予定のすべてのコンポーネントの最大電流の値を合計します。電流の合計値が、PDU の側面に記されている最大電流定格を超えてはなりません。たとえば、PDU の最大電流定格が 16 A の場合、PDU に接続するすべてのコンポーネントの電源ケーブルコネクタの電流の合計値が 16 A を超えてはなりません。

 **注意：**1つの PDU がサポートする最大 AC 電流負荷は、PDU のラベルに明記されています。明記された負荷よりも大きな負荷がかかると、PDU の回路遮断器が作動し、電源が切断されます。電気負荷が 1つの PDU の最大電流定格を超える場合は、PDU を複数台取り付ける必要があります。


### PDU のラックへの取り付け

PDU はラックに水平または垂直のどちらでも取り付けできます。ラック背面に水平に取り付けた場合は、ラック部品取り付けスペースの 1-U 分が PDU に占有されます。ラック側面に垂直または水平に取り付けた場合、ラック部品取り付けスペースは PDU に占有されません。この取り付け方法は、ラックキャビネットの側面にある別のレールにユニットを固定するため、0-U 取り付けと呼ばれています。

 **メモ：**ラックにはさまざまな設計があるので、すべてのラックで 0-U 取り付けを選択できるとは限りません。1-U 取り付けは、米国規格協会（ANSI）/米国電子工業会（EIA）規格 ANSI/EIA-310-D-92、国際電気標準会議（IEC）297、ドイツ工業規格（DIN）41494 に適合するラックすべてで選択できます。

## PDU の 0-U 取り付け

Dell 42 U および 24 U ラックの外側の垂直レールには、PDU の背面出力コネクタ用の切り欠きがあります。このような切り欠きがあるラックに PDU を取り付けるときは、切り欠きのところで背面出力コネクタを使用できるように PDU の位置を合わせてください（図 1-3 を参照）。

 **メモ：**0-U 垂直レールの取り付け位置のすべてに背面出力コネクタ用の切り欠きがあるわけではありません。また、16 A PDU の背面出力コネクタのうち、レールの切り欠きから利用できるものは1つだけです（図 1-3 を参照）。

10 A と 12 A 電源タップ、16 A PDU、30 A 3 相 PDU、および 60 A 単相 PDU において推奨される 0 U 取り付けの位置は、ラック背面の外側垂直レールです。42 U ラックのそれぞれの外側垂直レールには、10 A または 12 A の電源タップであれば 6 台まで、16 A PDU、30 A 3 相 PDU、または 60 A 単相 PDU であれば 4 台まで取り付けられます。42 U ラックのそれぞれの外側水平レールにも、16 A PDU、30 A 3 相 PDU、または 60 A 単相 PDU を 1 台ずつ取り付けられます。24 U ラックのそれぞれの外側垂直レールには、10 A または 12 A の電源タップであれば 3 台まで、16 A PDU、30 A 3 相 PDU、または 60 A 単相 PDU であれば 2 台まで取り付けられます。42 U ラックでの 0-U 取り付けの位置については、図 1-3 を参照してください。

24/32 A、32 A、および 40 A PDU の 0-U 取り付けの推奨位置は、42 U ラックであれば外側の水平レール、24 U ラックであれば背面垂直レールです。42 U ラックでの 0-U 取り付けの位置については、図 1-3 を参照してください。

PDU をラック側面の 0-U スペースに取り付けるには、次の手順を実行します。

- 1 ラックから側面パネルを取り外します。

側面パネルを取り外す手順については、ラックに付属のユーザーマニュアルを参照してください。

- 2 PDU を取り付け位置を、電源を供給するシステムに近い方の垂直レールまたは水平レールのいずれかに決定します。

PDU に接続する予定の電源ケーブルすべてが、選択した位置の PDU に届くことを確認してください。


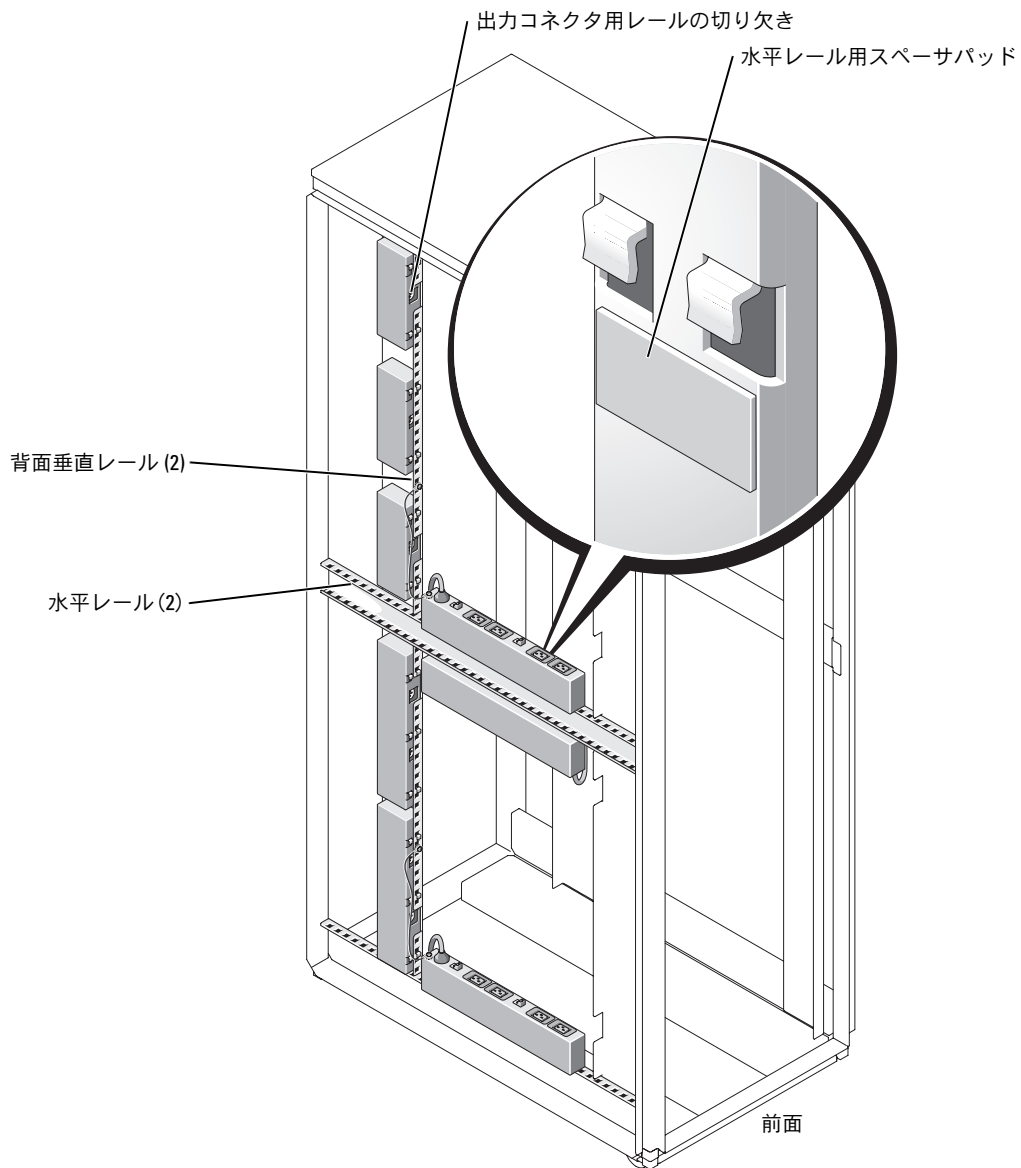
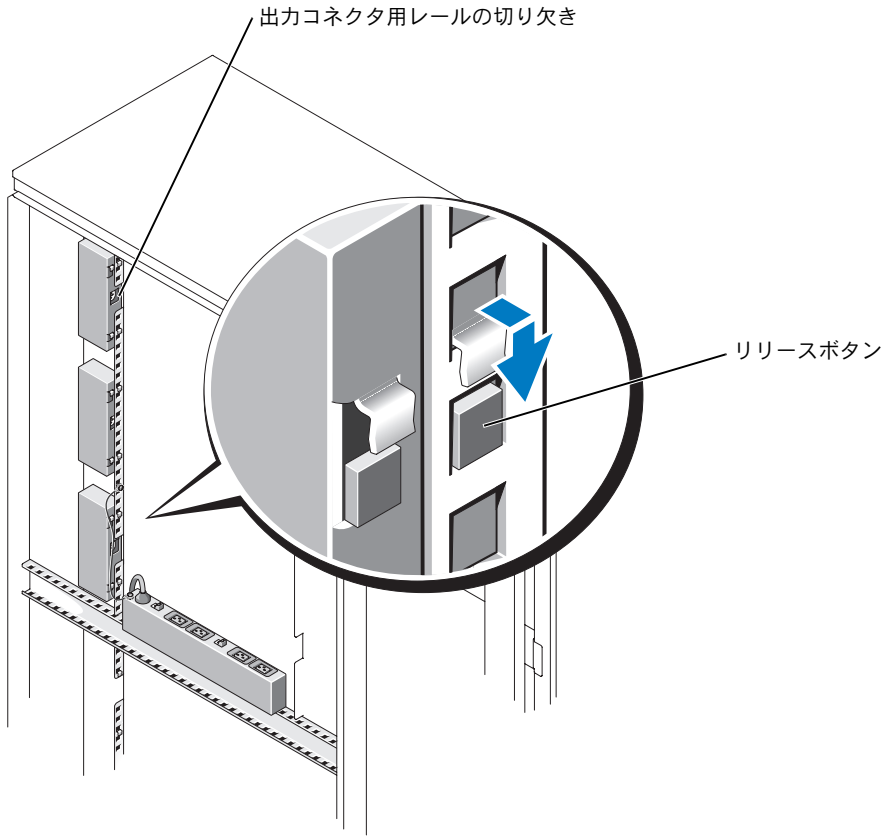
 **メモ：**PDU を水平レールに取り付ける場合は、PDU の背面に接着剤付きのスペーサパッドを取り付けて、確実に適合させる必要があります。スペーサパッドは、2 つ並んだ取り付けフックの横に 1 枚貼り付けます（図 1-3 を参照）。

図 1-3 PDU システムの 0-U 取り付け位置



- 3 取り付けフックが垂直レールまたは水平レールの四角い穴に入るように PDU の位置を合わせます。
- 4 取り付けフックが四角い穴の中に収まり、リリースボタンがカチッという音とともに飛び出すまで、PDU を下に押し下ろします（図 1-4 を参照）。

図 1-4 PDU の取り付け (0-U 垂直位置)





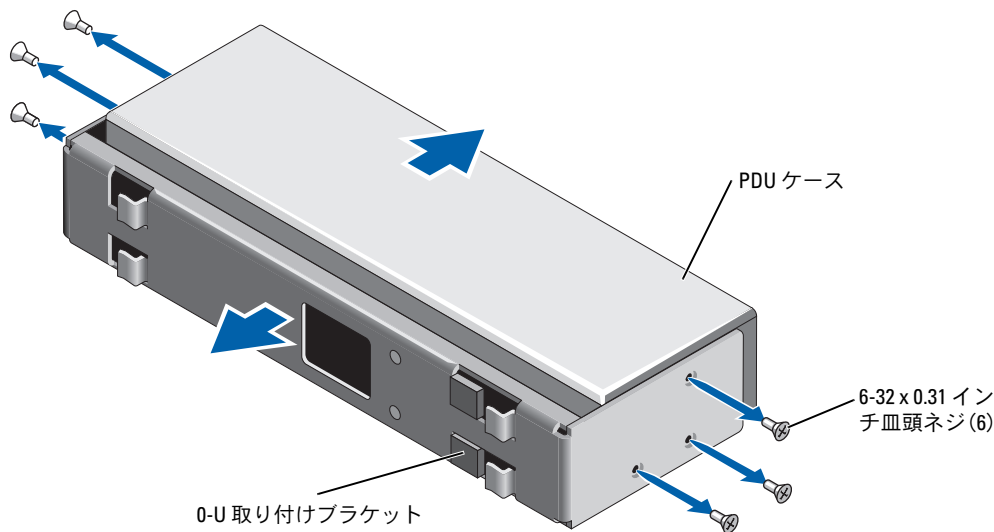
## PDU の 1-U 取り付け

PDU の 1-U 取り付けの推奨位置は、ラック背面の、PDU が電源を供給する装置に最も近い位置です。取り付けブラケットは PDU の側面に取り付けますが、背面向きまたは正面向きのどちらでも使用できます。どちらの向きで使用する場合でも、PDU を配置することによってケーブルに十分なたるみができ、ラックに設置され、PDU に接続された各システムを自由に引き出して作業が行えるようにしてください。

PDU をラック背面の 1-U スペースに水平に取り付けるには、次の手順を実行します。

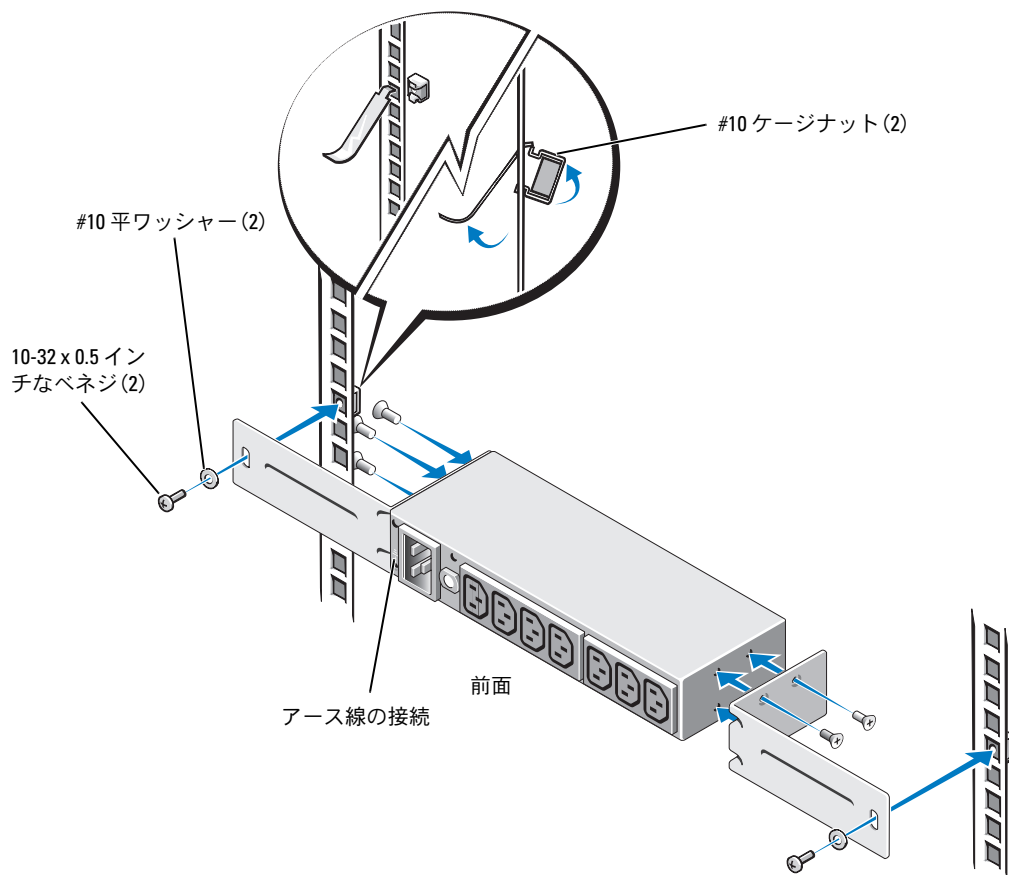
- 1 ラックキャビネットの前面ドアおよび背面ドアを開きます。
- 2 PDU を取り付けることができる 1 ユニット (1-U) の中で最も下の位置、あるいは PDU が電源を供給するシステムに最も近い位置に、PDU の場所を決定して印を付けます。  
PDU に接続する予定のすべての電源ケーブルが、選択した PDU の場所に届くことを確認します。
- 3 PDU ケースの端にある 6 本の 6-32 x 0.31 インチ皿頭ネジを外し、PDU ケースから 0-U 取り付けブラケットを取り外します。  
取り外したネジは保管しておき、手順 4 で 1-U 取り付けブラケットを取り付ける際に使用します (図 1-5 を参照)。

図 1-5 0-U 取り付けブラケットの取り外し




- 4 図 1-6 に示すように、手順 3 で取り外したネジを使用して、1-U 取り付けブラケット 2 個を PDU ケースに密着するように固定します（トルク値は約 6 ~ 8 インチポンド）。
- 5 レール上で 1-U 位置に選択した場所の 2 つ目の穴にケージナットを取り付けます。
- 6 図 1-6 に示すように、PDU の位置を合わせ、ネジとワッシャーでレールに密着するように固定します（トルク値は約 12 ~ 16 インチポンド）。

図 1-6 PDU の取り付け (1-U 水平位置)




## アース線の取り付け

- 1 10-32 x 0.5 インチ黒色ネジをアース線の穴に通してから歯付きワッシャーに通し、アース線を PDU に接続します。次に PDU 正面のアース線穴にネジを取り付けます (図 1-6 を参照)。

 **メモ**：アース線の記号があり、ネジ溝が刻まれた、PDU のアース穴以外は使用しないでください。この穴は PDU の端の、入力コネクタの横にあります (図 1-6 を参照)。

ネジを締め、歯付きワッシャーを PDU ケースの塗装していない金属面に密着させます。

 **メモ**：歯付きワッシャーが PDU ケースの塗装面を削って金属面と確実に接触するまで密着させる必要があります (トルク値は約 12 ~ 16 インチポンド)。

- 2 PDU のアース線のもう一方の端をラックフレームに接続します。タッピンネジをアース線の穴に入れてから歯付きワッシャーに通します (図 1-7 を参照)。


 **警告**：ラック内側の 4 本の柱はどれも、アース線をラックに取り付ける接続点として使わないでください。ケーブルをラックにアースする際には、接続点として、図 1-7 に示されているようにラックフレームの外側のアームにしかない穴の 1 つを選んでください。

図 1-7 に示すように、**黒色**タッピンネジをラックフレームの丸穴の 1 つに固定し、歯付きワッシャーをラックの塗装のない金属面に密着させます (トルク値は約 24 ~ 30 インチポンド)。


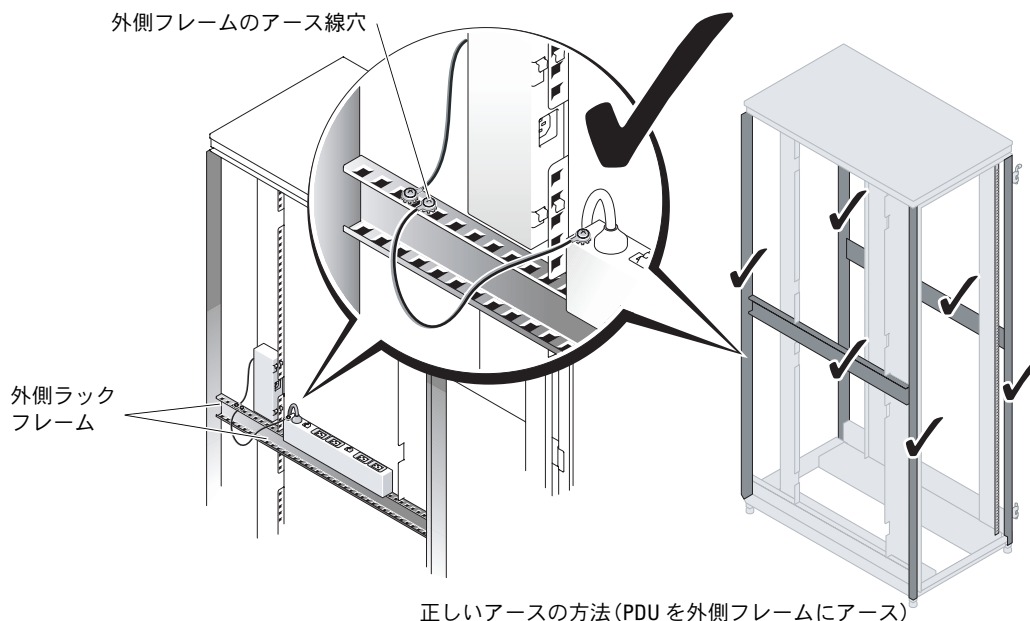
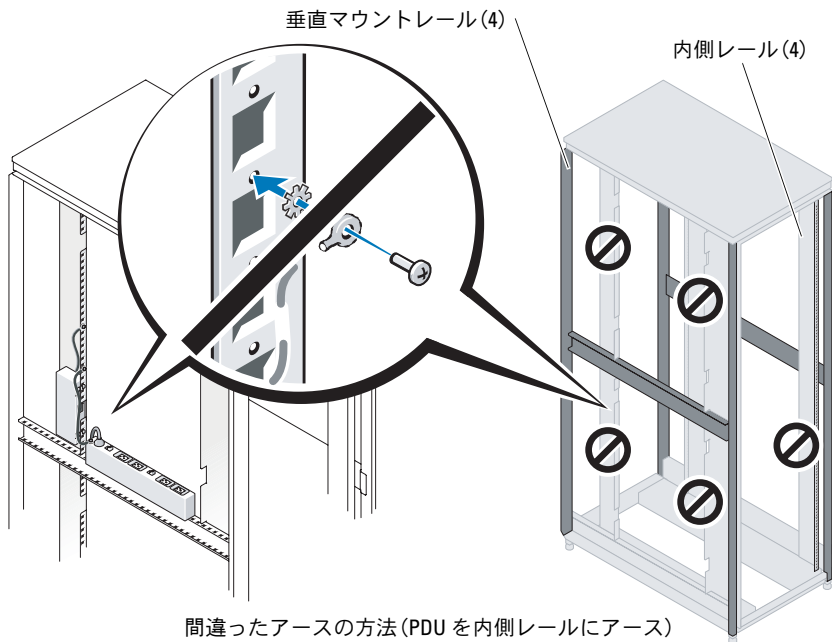
 **メモ**：歯付きワッシャーがラックの垂直レールの塗装面を削って金属面と確実に接触するまで密着させる必要があります (トルク値は約 24 ~ 30 インチポンド)。

図 1-7 PDU のアース線の接続





間違ったアースの方法 (PDU を内側レールにアース)

## PDU のケーブル接続

ラック部品から電源タップまたは PDU にケーブルを接続する方法は、さまざまな要素によって異なります。

10 A および 12 A の電源タップおよび 16 A、24/32 A PDU、30 A 3 相 PDU、および 60 A 単相 PDU には、国または地域の仕様に基づく各種の入出力電源ケーブルがそれぞれ付属しています。各電源タップまたは PDU には、地域特有の入力ケーブルが 1～2 本、場合に応じて標準の IEC 60320 出力ケーブル（長さは各種あり）、および NEMA から IEC へのアダプタケーブルが 1 本付属しています。10 A と 12 A の電源タップおよび 16 A PDU の入力電源ケーブルは取り外し可能です。取り外し可能な電源ケーブルには支持ブラケットが付属しています。支持ブラケットを PDU に取り付けることにより、入力電源コネクタを PDU に固定できます。24/32 A PDU、30 A 3 相 PDU、および 60 A 単相 PDU の入力電源ケーブルは固定されています。

32 A および 40 A PDU ではターミナルブロック接続が使われています。これを AC 主電源にハードワイヤ接続する作業は、資格を持った電気技術者が行ってください。32 A および 40 A PDU には、国または地域の仕様に基づく各種の出力ケーブルがそれぞれ付属しています。32 A および 40 A PDU には、入力ケーブルとコンジットは付属していません。

**⚠ 警告：ターミナルブロック接続で AC 主電源に直接接続する PDU は、資格を持った電気技術者が取り付けてください。お使いの国および地域の電気規約および規則を常に遵守してください。**

## 入力電源ケーブルと支持ブラケットの取り付け（10 A または 12 A 電源タップおよび 16 A PDU の場合）

- 1 入力電源ケーブルを PDU に取り付けます。
- 2 ブラケットの端を入力コネクタの両側にある 2 つの穴に挿入し、ブラケットを下ろして電源ケーブルにしっかりとめ込みます（図 1-8 を参照）。


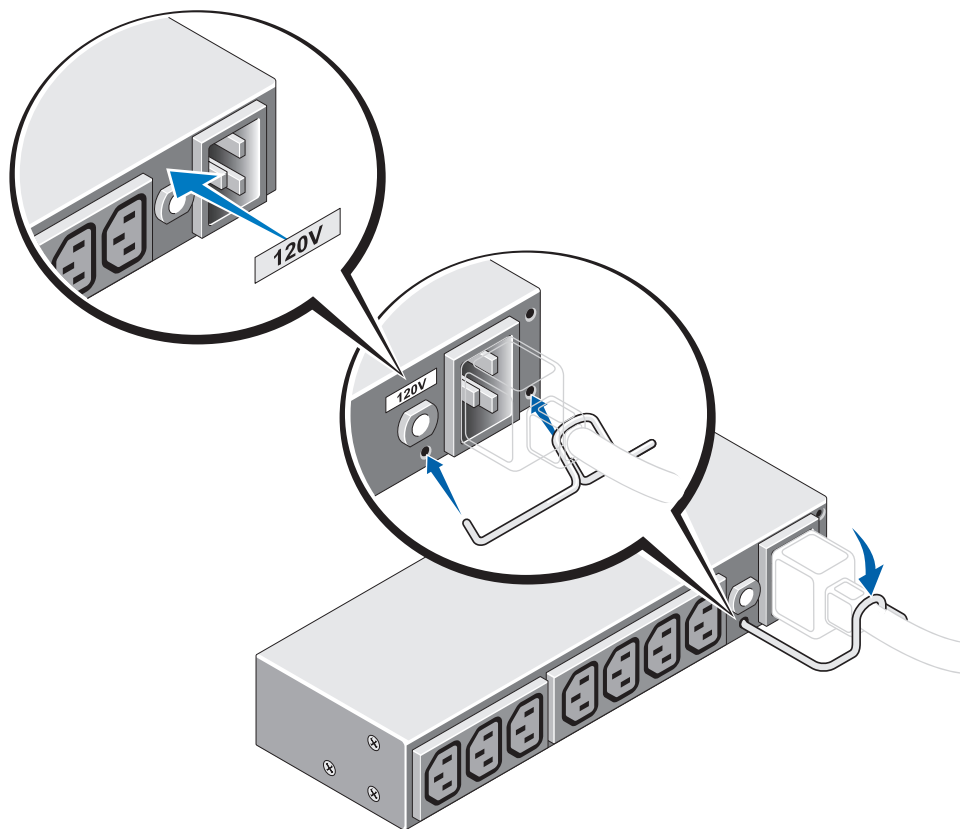

 **メモ：**ケーブルを適切に支持できるように、電源ケーブル支持ブラケットの両側を均等に押さえ、電源ケーブルにしっかりとめ込みます。

図 1-8 電源ケーブル支持ブラケットの取り付け

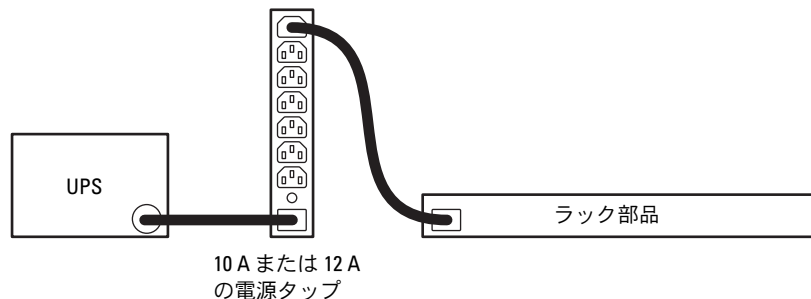


 **メモ：**デルでは、PDU モデルと電源タップにそれぞれの電圧を記入したラベルを貼付することをお勧めします。電圧ラベルのパッケージ（ラックキットに含まれている場合）を確認し、該当するモデルに貼付するラベルを選んでください。キットの内容については図 1-2 を、ラベルを貼り付ける正しい向きについては図 1-8 を参照してください。

## 10 A および 12 A 電源タップのケーブル接続

10 A および 12 A の電源タップは、UPS からの電源の延長として使用できます（図 1-9 を参照）。

図 1-9 10 A および 12 A の電源タップと UPS とのケーブル接続

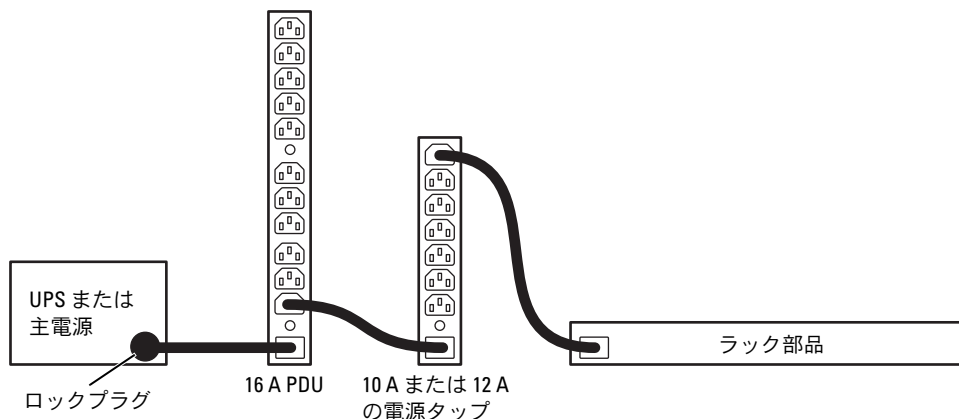


10 A および 12-A の電源タップは、16 A、24/32 A、32 A、および 40 A の PDU からの電源の延長としても使用できます（図 1-10 を参照）。各 PDU で使用できる電源タップの最大数を表 1-1 に示します。

表 1-1 1 台の PDU で使用できる電源タップの最大数

PDU のモデル	1 台の PDU で使用可能な最大電流 (合計値)	10 A 電源タップの最大数	12 A 電源タップの最大数
16 A PDU	16 A	1	1
24/32 A PDU	24/32 A	2	2
32 A PDU	32 A	4	-
40 A PDU	40 A	-	4
30 A 3 相 PDU	30 A	3	2
60-A 単相 PDU	60 A	3	3

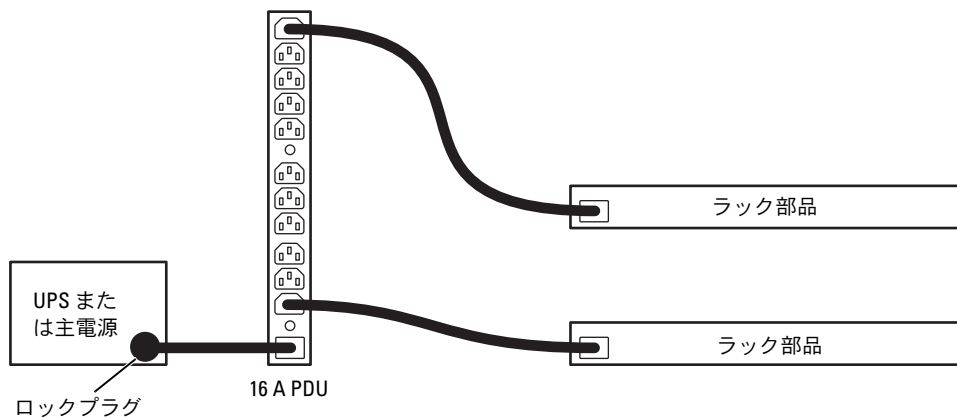
図 1-10 10 A または 12 A の電源タップと UPS とのケーブル接続



### 16 A PDU のケーブル接続

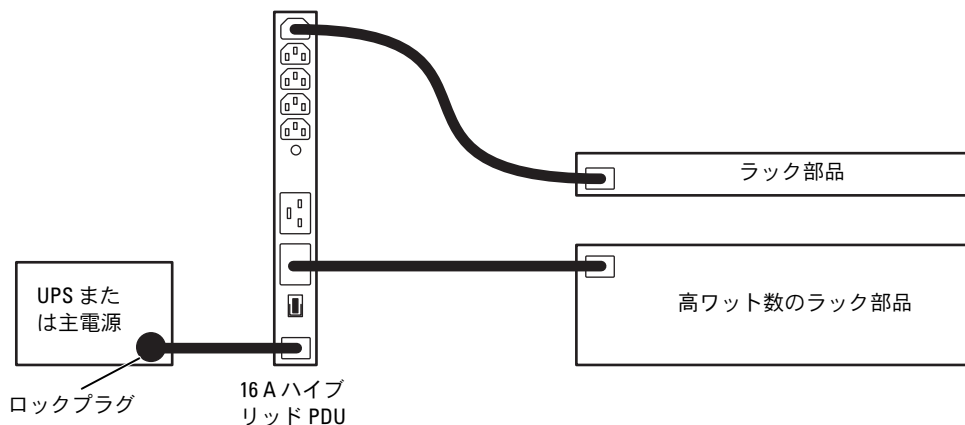
16 A PDU は UPS または AC 主電源からの電源の延長として使用できます。「ロック」式の入カプラグにより、電気的接続を確実にし、アースを取ることができます。16 A PDU には標準の IEC 60320 - C13 出力が 13 個あるので、ワット数の高いラック部品を配置できます (図 1-11 を参照)。

図 1-11 16 A PDU と UPS または AC 電源とのケーブル接続



16 A ハイブリッド PDU は、UPS または AC 主電源からの電源の延長として使用できます。「ロック」式の入力プラグにより、電気的接続を確実にし、アースを取ることができます。16A ハイブリッド PDU には、標準の IEC 60320 - C13 出力が 7 個と IEC 60320 - C19 出力が 2 個あるので、ワット数の高いラック部品を配置できます（図 1-12 を参照）。

図 1-12 16 A ハイブリッド PDU と UPS または AC 電源とのケーブル接続

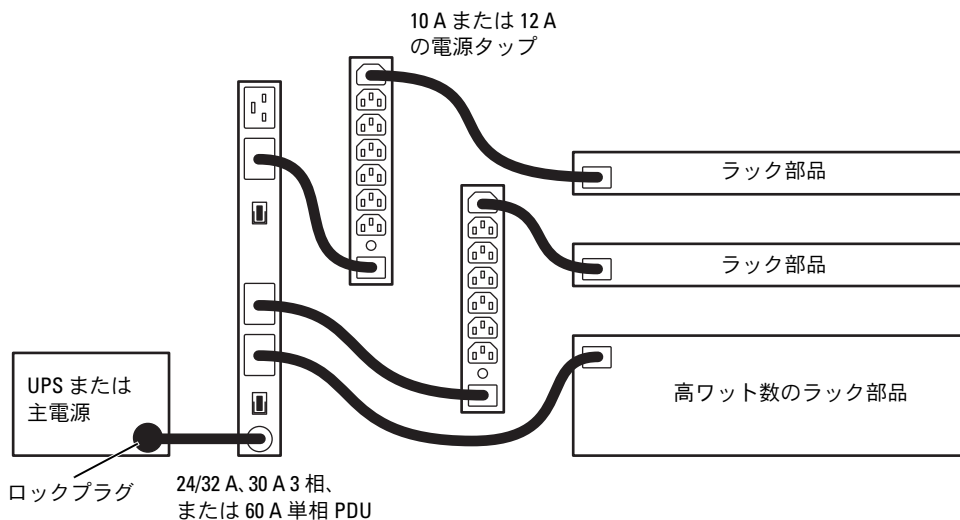


#### 24/43 A、30-A 3 相、および 60 A 単相 PDU のケーブル接続

24/32 A PDU は UPS または AC 主電源からの電源の延長として使用できます。「ロック」式の入力プラグにより、電気的接続を確実にし、アースを取ることができます。24/30A PDU には IEC 60320 - C19 出力が 4 個あるので、高ワット数のラック部品を配置できます。30 A 3 相 PDU および 60 A 単相 PDU には IEC 60320 - C19 出力が 3 個あるので、高ワット数のラック部品を配置できます。12 A 電源タップであれば 2 台まで、10 A 電源タップであれば 3 台までを、24/32 A PDU、30 A 3 相 PDU、または 60 A 単相 PDU からの電源の延長として使用できます（図 1-13 を参照）。



図 1-13 24/32 A、30 A 3 相、または 60 A 単相 PDU と UPS または AC 電源とのケーブル接続

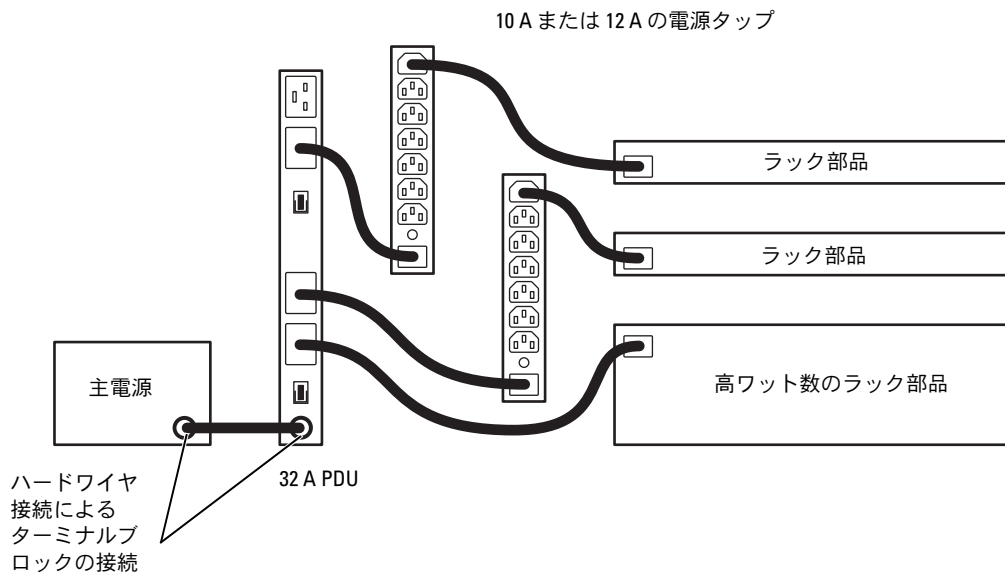


### 32 A および 40 A PDU のケーブル接続

32 A および 40 A の PDU は、AC 主電源からの電源の延長として使用できます。32 A および 40 A の PDU は、ターミナルブロック接続を使って AC 主電源にハードワイヤ接続されています。電流の合計値が 32 A 未満であれば、32 A PDU からの電源の延長として 4 台までの 10 A 電源タップを使用できます。電流の合計値が 32 A 未満であれば、40 A PDU からの電源の延長として 12 台までの 12 A 電源タップを使用できます（図 1-14 を参照）。

**⚠ 警告：**ターミナルブロック接続で AC 主電源に PDU を直接取り付ける作業は、資格を持った電気技術者が行ってください。お使いの国および地域の電気規約および規則を常に遵守してください。

図 1-14 32 A または 40 A PDU と AC 主電源とのケーブル接続



## PDU の構成および技術仕様

表 1-2 PDU の電源構成

モデル	入力電圧	最大電力定格	回路ブレーカ (数量)
12 A NEMA 電源タップ	100 V、120 V	15 A	15 A (1)
10 A IEC 電源タップ	230 V	10 A	10 A (1)
12 A IEC 電源タップ	100 V、120 V、208 V	15 A	15 A (1)
16 A PDU	120 V、208 V、230 V	16 A	15 A (2)
16 A ハイブリッド PDU	120 V、208 V、230 V	16 A	15 A (1)、20 A (1)
24/32 A PDU	120 V、208 V 230 V	24 A 32 A	20 A (2)
32 A PDU	230 V	32 A	20 A (2)
40 A PDU	120 V、208 V	40 A	20 A (2)
30 A 3 相 PDU	208 V、230 V	30 A	20 A (3)
60-A 単相 PDU	208 V、230 V	60 A	20 A (3)

表 1-3 PDU のコネクタ構成

モデル	入力コネクタ	出力コネクタ (数量 / 位置)
12 A NEMA 電源タップ	IEC 60320 - C14	NEMA 5 - 15R (前面 5)
10 A IEC 電源タップ	IEC 60320 - C14	IEC 60309 - C13 (前面 7、背面 1)
12 A IEC 電源タップ	IEC 60320 - C14	IEC 60309 - C13 (前面 7、背面 1)
16 A PDU	IEC 60320 - C20	IEC 60309 - C13 (前面 11、背面 2)
16 A ハイブリッド PDU	IEC 60320 - C20	IEC 60320 - C13 (前面 5、背面 2) IEC 60320 - C19 (前面 2)
24/32 A PDU	固定	IEC 60320 - C19 (前面 4)
32 A PDU	ターミナルブロック	IEC 60320 - C19 (前面 4)
40 A PDU	ターミナルブロック	IEC 60320 - C19 (前面 4)
30 A 3 相 PDU	固定	IEC 60320 - C19 (前面 3)
60-A 単相 PDU	固定	IEC 60320 - C19 (前面 3)

	電源タップ			PDU						
	12 A NEMA	10 A IEC	12 A IEC	16 A	16 A ハイブリッド	24/32 A	32 A	40 A	30 A 3相	60 A 単相
<b>電力</b>										
最大入力電流	15 A	10 A	15 A	20 A	20 A	24/32 A	32 A	40 A	30 A	60 A
熱消費 (公称)	30 BTU / 時間	30 BTU / 時間	30 BTU / 時間	45 BTU / 時間	45 BTU / 時間	45 BTU / 時間	45 BTU / 時間	45 BTU / 時間	45 BTU / 時間	45 BTU / 時間
入力 AC 電圧	100 V、120 V	230 V	120 V、208 V	100 V、120 V、200 V、208 V、230 V	100 V、120 V、200 V、208 V、230 V	120 V、208 V、230 V	230 V	120 V、208 V	208 V、230 V	208 V、230 V
<b>サイズと重量</b>										
縦幅 cm (インチ)	23.98 (9.44)	23.98 (9.44)	23.98 (9.44)	38.81 (15.28)	38.81 (15.28)	43.82 (17.25)	43.82 (17.25)	43.82 (17.25)	38.81 (15.28)	38.81 (15.28)
横幅 cm (インチ)	4.37 (1.72)	4.37 (1.72)	4.37 (1.72)	4.37 (1.72)	4.37 (1.72)	4.37 (1.72)	4.37 (1.72)	4.37 (1.72)	4.37 (1.72)	4.37 (1.72)
奥行 cm (インチ)	9.30 (3.66)	9.30 (3.66)	9.30 (3.66)	9.30 (3.66)	9.30 (3.66)	9.30 (3.66)	9.30 (3.66)	9.30 (3.66)	11.58 (4.56)	11.58 (4.56)
重量 kg (ポンド)	0.91 (2.00)	0.91 (2.00)	0.91 (2.00)	1.52 (3.35)	1.62 (3.58)	3.33 (7.34)	3.33 (7.34)	3.33 (7.34)	2.20 (4.89)	2.20 (4.89)
<b>環境</b>										
温度										
動作時	0 ~ 45 °C			0 ~ 45 °C						
保管時	-25 ~ 65 °C			-25 ~ 65 °C						
相対湿度	0 ~ 95% (結露しないこと)			0 ~ 95% (結露しないこと)						
最大振動										
動作時	60 分間に 5 ~ 15 Hz で 0.5 G			60 分間に 5 ~ 15 Hz で 0.5 G						
保管時	60 分間に 5 ~ 15 Hz で 0.75 G			60 分間に 5 ~ 15 Hz で 0.75 G						
高度										
動作時	0 ~ 3000 m			0 ~ 3000 m						
保管時	0 ~ 15,000 m			0 ~ 15,000 m						

# 索引

## P

### PDU

定義, 87

### PDU のモデル, 89

10 A, 89

12 A IEC, 89

12 A NEMA, 89

16 A, 89

16 A ハイブリッド, 89

24/32 A, 89

30 A 3 相, 89

32 A, 89

40 A, 89

60-A 単相, 89

### PDU のケーブル接続, 98

## あ

安全にお使いいただくための注意

一般的な注意事項, 87

ラックに設置可能な製品, 89

## き

キットのコンポーネント, 90

## け

ケーブル接続

16 A PDU, 101

24/32 A PDU, 102

32 A PDU, 103

40 A PDU, 103

## す

推奨するツール, 91

## つ

ツール

推奨する, 91

## て

電源タップ

定義, 87

## と

取り付け

0-U 位置, 92

1-U 位置, 95

取り付け手順, 91

## に

入力電源ケーブルリテ  
ーナブラケット

取り付け, 99



Unidades de distribución de  
alimentación Dell™ RapidPower

# Guía de instalación

## Notas, avisos y precauciones



**NOTA:** una NOTA proporciona información importante que le ayudará a utilizar mejor el ordenador.



**AVISO:** un AVISO indica la posibilidad de daños en el hardware o la pérdida de datos, e informa de cómo evitar el problema.



**PRECAUCIÓN:** un mensaje de PRECAUCIÓN indica el riesgo de daños materiales, lesiones o incluso la muerte.

---

La información contenida en este documento puede modificarse sin previo aviso.

© 2007 Dell Computer Corporation. Reservados todos los derechos.

Queda estrictamente prohibida la reproducción de este documento en cualquier forma sin la autorización por escrito de Dell Computer Corporation.

Marcas comerciales utilizadas en este texto: *Dell* y el logotipo de *DELL* son marcas comerciales de Dell Computer Corporation.

Otras marcas y otros nombres comerciales pueden utilizarse en este documento para hacer referencia a las entidades que los poseen o a sus productos. Dell Computer Corporation renuncia a cualquier interés sobre la propiedad de marcas y nombres comerciales que no sean los suyos.



# Contenido

<b>Precaución: instrucciones de seguridad</b> . . . . .	<b>113</b>
Precauciones generales . . . . .	113
Precauciones para los productos montables en rack . . . . .	115
<b>Modelos de PDU</b> . . . . .	<b>115</b>
<b>Componentes del kit de la PDU</b> . . . . .	<b>116</b>
<b>Herramientas recomendadas</b> . . . . .	<b>117</b>
<b>Tareas de instalación</b> . . . . .	<b>117</b>
Determinación de la carga de corriente de CA . . . . .	117
Instalación de las PDU en un rack . . . . .	117
Conexión del conductor de tierra. . . . .	123
Cableado de las PDU . . . . .	125
<b>Configuraciones y especificaciones técnicas de las PDU</b> . . . . .	<b>132</b>
Índice . . . . .	135





En este documento se describe cómo instalar las unidades de distribución de alimentación (PDU) Dell™ RapidPower en armarios rack de 42 y 24 unidades. Hay dos tipos básicos de PDU: PDU estándar con conectores de fijación de cables de alimentación de entrada y regletas de enchufes que no requieren conectores de sujeción.


Las regletas de enchufes y las PDU se instalan en el área de montaje 0 U (el área vacía del rack situada entre los paneles laterales y el espacio de montaje de componentes) mediante los soportes de montaje que vienen incorporados a las unidades o en una configuración de 1 U mediante los soportes de montaje incluidos con el kit.

## **Precaución: instrucciones de seguridad**

Siga las pautas de seguridad que figuran a continuación para garantizar su propia seguridad y para proteger el sistema y sus componentes frente a posibles daños.

En esta sección de seguridad, se utiliza el icono de precaución () para indicar las precauciones que deben revisarse y tenerse en cuenta. Para obtener información completa sobre seguridad y normativas, consulte la *Guía de información del producto* que se entrega con el sistema. La información sobre la garantía puede estar incluida en este documento o constar en un documento aparte.

 **PRECAUCIÓN: la PDU está homologada en cuanto a seguridad como componente para uso en un armario rack. Es su responsabilidad asegurarse de que la combinación final de PDU y armario rack cumpla los estándares de seguridad correspondientes y los requisitos de códigos de electricidad locales. El fabricante declina toda responsabilidad y garantía relacionadas con tales combinaciones.**

 **PRECAUCIÓN: todos los dispositivos de carga (equipos informáticos) producen una corriente de fuga. Se recomienda utilizar enchufes bloqueables para las conexiones de alimentación. Si no utiliza dichos enchufes, no supere los 3,5 mA por cada conexión de alimentación. Solicite la ayuda de un electricista cualificado para garantizar que la conexión a tierra sea correcta.**

### **Precauciones generales**

Los sistemas se consideran componentes de un rack. Por lo tanto, “componente” se refiere a cualquier sistema, así como a los distintos periféricos o al hardware de soporte.

Tenga en cuenta las precauciones generales siguientes para instalar la PDU:

- Tenga en cuenta las marcas de servicio y siga las instrucciones correspondientes. No intente realizar reparaciones en ningún producto salvo las que se indican en la documentación del sistema. Si abre o desmonta cubiertas marcadas con el símbolo triangular con un rayo, puede exponerse a descargas eléctricas. Los componentes internos de estos compartimientos sólo deben manipularlos técnicos de servicio especializados.
- Asegúrese de que el circuito de alimentación eléctrica cumple todas las normativas y regulaciones de electricidad locales y nacionales.

- Si se produce alguna de las circunstancias siguientes, desenchufe el producto de la toma eléctrica y sustituya la pieza, o póngase en contacto con su proveedor de servicios especializado:
  - El cable de alimentación, el alargador o el enchufe están dañados.
  - Ha caído un objeto dentro del producto.
  - El producto ha estado en contacto con agua.
  - El producto se ha caído o ha resultado dañado.
  - El producto no funciona correctamente cuando se siguen las instrucciones de funcionamiento.
- Utilice la fuente de energía externa adecuada. Haga funcionar el producto únicamente con el tipo de fuente de energía indicada en la etiqueta de clasificación eléctrica. Si no está seguro del tipo de fuente de energía necesario, consulte al proveedor de servicios o a la compañía eléctrica.
- Utilice únicamente los cables de alimentación suministrados con la PDU o con el sistema.
- Los cables de alimentación utilizados para conectar un componente a la PDU deben ser los adecuados para el voltaje y la corriente indicados en la etiqueta de clasificación eléctrica del componente. Las especificaciones de voltaje y corriente del cable de alimentación deben ser mayores que las indicadas en el componente.
- Para evitar una descarga eléctrica, enchufe los cables de alimentación de entrada de la PDU a tomas eléctricas que estén bien conectadas a tierra. Estos cables de alimentación cuentan con enchufes de tres clavijas para garantizar que la conexión a tierra sea correcta. No utilice adaptadores ni extraiga la clavija de conexión a tierra de los cables de alimentación. No emplee alargadores.
- Asegúrese de que la suma de la corriente nominal admitida por cada alargador y regleta de enchufes para todos los productos conectados al alargador o a la regleta de enchufes cumple las normativas y regulaciones de electricidad locales y nacionales.
- Coloque los cables del sistema y de alimentación con cuidado, de manera que nadie pueda pisarlos ni tropezar con ellos. Asegúrese de que ningún objeto se apoye en los cables de los componentes del sistema o en el cable de alimentación.
- No modifique las PDU o los cables de alimentación. Consulte a un electricista cualificado o a su compañía de servicio eléctrico para hacer cualquier modificación. Siga siempre las normativas y regulaciones de electricidad locales y nacionales correspondientes a su país o región.
- Las PDU que se conectan directamente a una fuente de CA principal a través de conexiones de bloque de terminales debe instalarlas un electricista cualificado. Siga siempre las normativas y regulaciones de electricidad locales y nacionales correspondientes a su país o región.

## Precauciones para los productos montables en rack

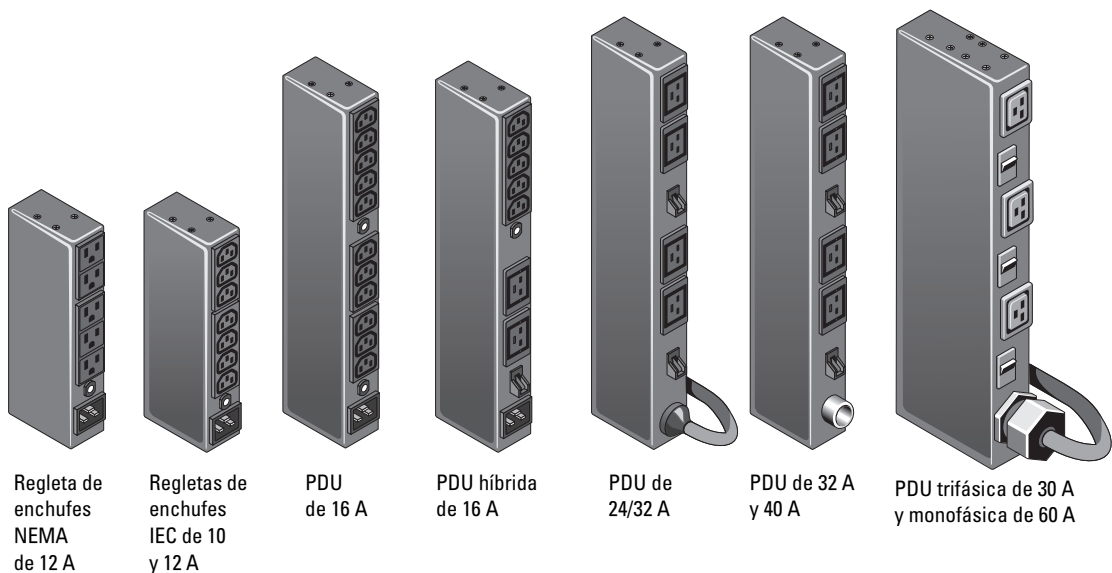
Tenga en cuenta las precauciones siguientes para garantizar la estabilidad y la seguridad del rack. Consulte la documentación de instalación del rack incluida con el rack para ver los procedimientos y la información de advertencia o precaución.

- Antes de realizar cualquier operación en el rack, asegúrese de que éste se haya instalado de forma segura y conforme a las instrucciones de la documentación de instalación del rack.
- No suba sobre ningún sistema o componente ni lo utilice como escalón para realizar operaciones en otros sistemas o componentes de un rack.

## Modelos de PDU

Las regletas de enchufes y las PDU proporcionan soluciones de alimentación que utilizan opciones de conexión de entrada y de salida adaptadas a cada región. Existen diez configuraciones básicas, que se muestran en la figura 1-1: una regleta de enchufes NEMA de 12 A, una regleta de enchufes IEC de 10 A, una regleta de enchufes IEC de 12 A, una PDU de 16 A, una PDU híbrida de 16 A, una PDU de 24/32 A, una PDU de 32 A, una PDU de 40 A, una PDU trifásica de 30 A y una PDU monofásica de 60 A. Para obtener información específica sobre la configuración de cada modelo y opción, consulte “Configuraciones y especificaciones técnicas de las PDU”.

**Figura 1-1. Modelos de PDU**



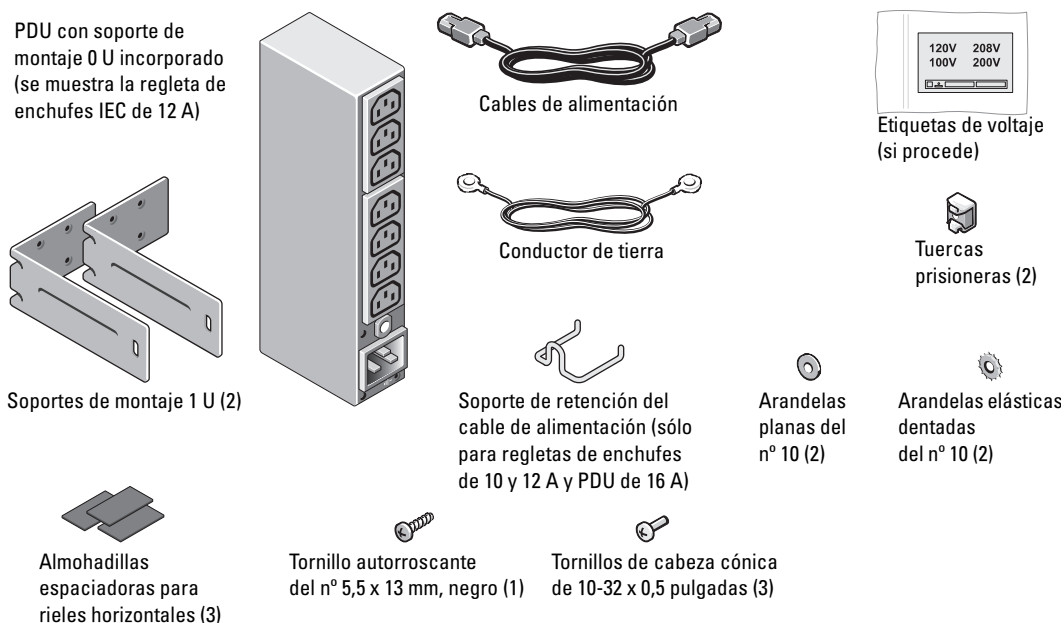
**NOTA:** Dell recomienda etiquetar los modelos de PDU y las regletas de enchufes con los voltajes correspondientes. Localice el paquete de etiquetas de voltaje incluido en el contenido del kit de rack y seleccione la etiqueta correspondiente para adherirla al modelo adecuado. Vea la figura 1-2 para consultar el contenido del kit y la figura 1-8 para ver la orientación recomendada de la etiqueta.

## Componentes del kit de la PDU

Los componentes del kit (que se muestran en la figura 1-2) son los mismos para todos los modelos de PDU.

- Una PDU (con el soporte de montaje 0 U incorporado)
- Cables de alimentación (de diferentes longitudes y tipos según el modelo)
- Dos soportes de montaje 1 U
- Tres tornillos de cabeza cónica de 10-32 x 0,5 pulgadas
- Dos arandelas planas del n° 10
- Un tornillo autorroscante del n° 5,5 x 13 mm, negro
- Dos arandelas elásticas dentadas del n° 10
- Tres almohadillas espaciadoras para rieles horizontales
- Dos tuercas prisioneras
- Un conductor de tierra
- Un soporte de retención del cable de alimentación (sólo para regletas de enchufes de 10 y 12 A y PDU de 16 A)
- Un paquete de etiquetas de voltaje para que los clientes identifiquen los voltajes de las PDU y las regletas de enchufes (si procede)

**Figura 1-2. Contenido del kit**



## Herramientas recomendadas

- Destornillador Phillips del n° 2
- Herramienta de instalación de tuercas prisioneras (sólo para instalación de 1 U)

## Tareas de instalación

- 1 Determinación de la carga de corriente de CA
- 2 Instalación de las PDU en un rack
- 3 Conexión del conductor de tierra
- 4 Cableado de las PDU

### Determinación de la carga de corriente de CA

Antes de instalar una PDU en un rack, debe asegurarse de que los requisitos de alimentación total de todos los sistemas que vaya a conectar a dicha PDU se encuentren dentro de las especificaciones de corriente máxima de la PDU. Puede que necesite varias PDU para proteger correctamente los equipos y sistemas de rack instalados.

Los requisitos de corriente máxima se encuentran en la *Guía del usuario* de la mayoría de productos montables en rack. Para hallar el valor de corriente total, sume los valores de corriente máxima de todos los componentes que tiene previsto conectar a la PDU. El valor de corriente total no debe superar la corriente nominal máxima indicada en el lateral de la PDU. Por ejemplo, si la PDU tiene una corriente nominal máxima de 16 A, la corriente combinada total de todos los conectores de los cables de alimentación de los componentes conectados a la PDU no debe superar los 16 A.



**AVISO:** la carga máxima de corriente de CA que puede admitir cada PDU se especifica en su etiqueta. Cualquier carga superior a la especificada hará que el interruptor de circuito de la PDU se dispare y se desconecte la alimentación. Se deben instalar varias PDU si la carga eléctrica supera la corriente nominal máxima de una sola PDU.

### Instalación de las PDU en un rack

Puede instalar la PDU en sentido horizontal o vertical en un rack. Si se monta en sentido horizontal en la parte posterior del rack, la PDU ocupa 1 U de espacio de montaje del componente de rack. Cuando se monta en sentido vertical u horizontal en el lateral del rack, la PDU no ocupa ningún espacio de montaje del componente de rack. El método de instalación se denomina montaje 0 U porque la unidad se fija en rieles independientes situados en el lateral del armario rack.



**NOTA:** debido a las variaciones en el diseño de los rack, la posición de montaje 0 U no está disponible para todos los racks. La posición de montaje 1 U está disponible para todos los rack que cumplan las especificaciones siguientes: American National Standards Institute (ANSI)/Electrical Industries Association (EIA) ANSI/EIA-310-D-92, International Electrotechnical Commission (IEC) 297 y Deutsche Industrie Norm (DIN) 41494.

## Instalación de las PDU en la posición de montaje 0 U

Los rieles verticales externos de los racks 42 U y 24 U de Dell presentan hendiduras que permiten acceder a los conectores de salida posteriores de la PDU. Al instalar una PDU en un rack con estas hendiduras, colóquela de manera que se pueda acceder al conector de salida posterior a través de la hendidura (vea la figura 1-3).



**NOTA:** no todas las posiciones de montaje 0 U en riel vertical disponen de una hendidura para acceder a los conectores de salida posteriores. Además, sólo uno de los conectores de salida posteriores de la PDU de 16 A será accesible a través de la hendidura del riel (vea la figura 1-3).

La posición de montaje 0 U recomendada para las regletas de enchufes de 10 y 12 A, la PDU de 16 A, la PDU trifásica de 30 A y la PDU monofásica de 60 A es en el riel vertical externo situado en la parte posterior del rack. En cada riel vertical externo de un rack de 42 U se pueden montar hasta seis regletas de enchufes de 10 o 12 A y hasta cuatro PDU de 16 A, PDU trifásicas de 30 A o PDU monofásicas de 60 A. Además, en cada uno de los rieles horizontales externos de un rack de 42 U se puede montar una PDU de 16 A, una PDU trifásica de 30 A o una PDU monofásica de 60 A. En cada riel vertical externo de un rack de 24 U se pueden montar hasta tres regletas de enchufes de 10 o 12 A y hasta dos PDU de 16 A, PDU trifásicas de 30 A o PDU monofásicas de 60 A. Vea la figura 1-3 para consultar las opciones de posición de montaje 0 U en un rack de 42 U.

La posición de montaje 0 U recomendada para las PDU de 24/32 A, 32 A y 40 A es en los rieles horizontales externos de un rack de 42 U y en los rieles verticales posteriores de un rack de 24 U. Vea la figura 1-3 para consultar las opciones de posición de montaje 0 U en un rack de 42 U.

Para instalar una PDU en el espacio 0 U del lateral del rack, realice los pasos siguientes:

- 1 Extraiga los paneles laterales del rack.

Consulte la documentación del usuario incluida con el rack para obtener instrucciones sobre cómo extraer los paneles laterales.

- 2 Identifique la ubicación de la PDU en la posición de riel vertical u horizontal más cercana a los sistemas a los que vaya a suministrar alimentación.

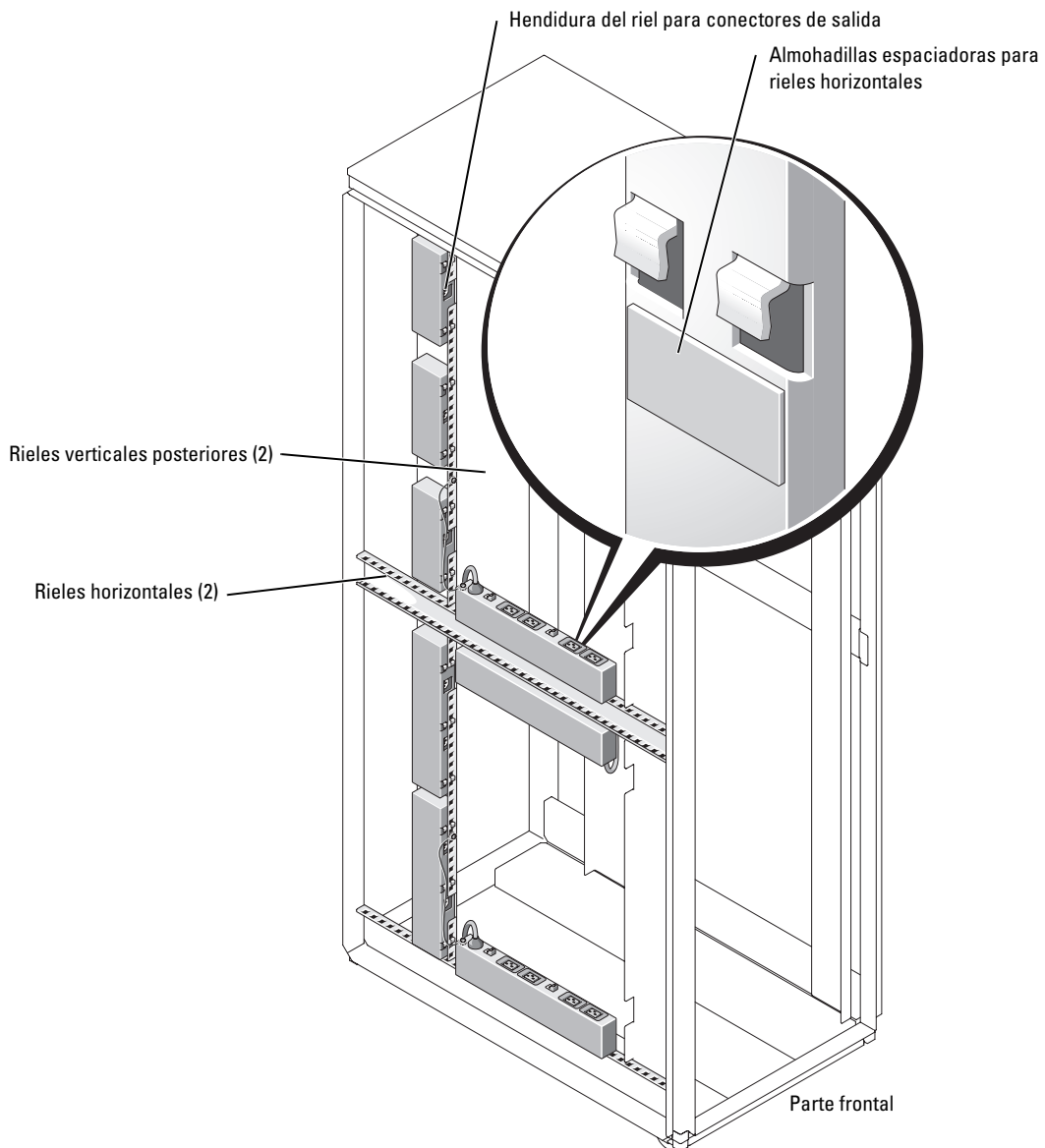
Asegúrese de que todos los cables de alimentación que va a conectar a la PDU lleguen hasta la posición que ha seleccionado para la PDU.



**NOTA:** si va a instalar la PDU en el riel horizontal, debe adherir las almohadillas espaciadoras autoadhesivas a la parte posterior de la PDU para que ésta quede bien sujeta. Coloque una almohadilla espaciadora al lado de cada par de ganchos de montaje (vea la figura 1-3).

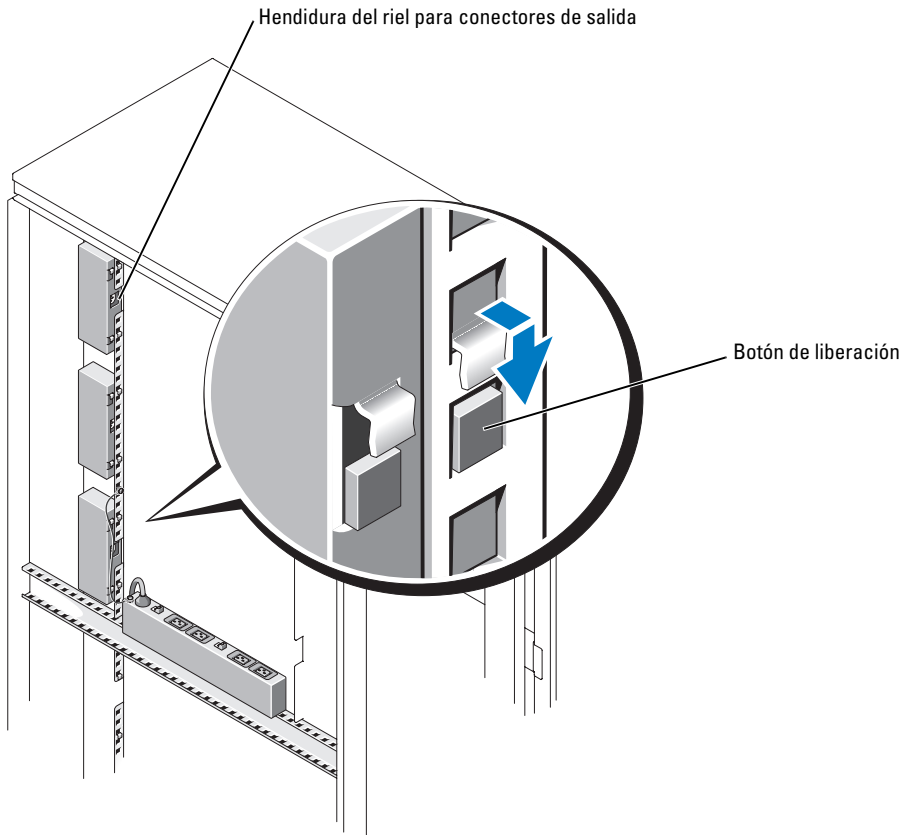


**Figura 1-3. Posiciones de montaje 0 U en sistemas PDU**



- 3 Coloque la PDU de manera que los ganchos de montaje se introduzcan en los orificios cuadrados del riel vertical u horizontal.
- 4 Presione hacia abajo la PDU hasta que los ganchos de montaje encajen en los orificios cuadrados y el botón de liberación salga y se oiga un clic (vea la figura 1-4).

**Figura 1-4. Instalación de la PDU (Posición vertical 0 U)**



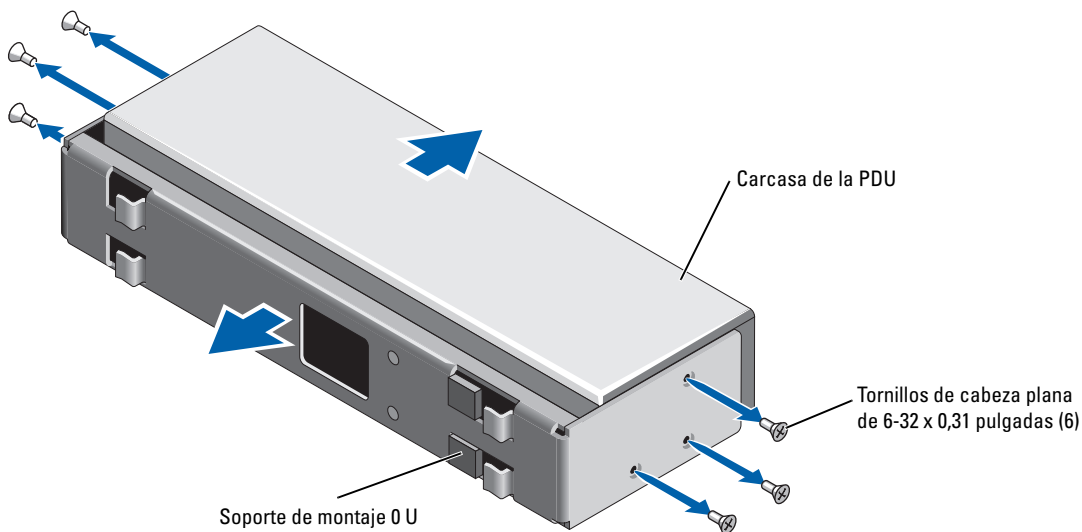
### Instalación de las PDU en la posición de montaje 1 U

La posición de montaje 1 U recomendada para una PDU es en la parte posterior del rack, lo más cerca posible del equipo instalado al que vaya a suministrar alimentación. Los soportes de instalación se pueden fijar a los laterales de la PDU de manera que queden orientados hacia la parte posterior o la parte frontal. Independientemente de la orientación que utilice, asegúrese de que al colocar la PDU deje la holgura necesaria en los cables para que todos los sistemas instalados en el rack conectados a ella puedan deslizarse libremente a la hora de realizar tareas de mantenimiento.

Para instalar una PDU en posición horizontal en el espacio 1 U de la parte posterior del rack, realice los pasos siguientes:

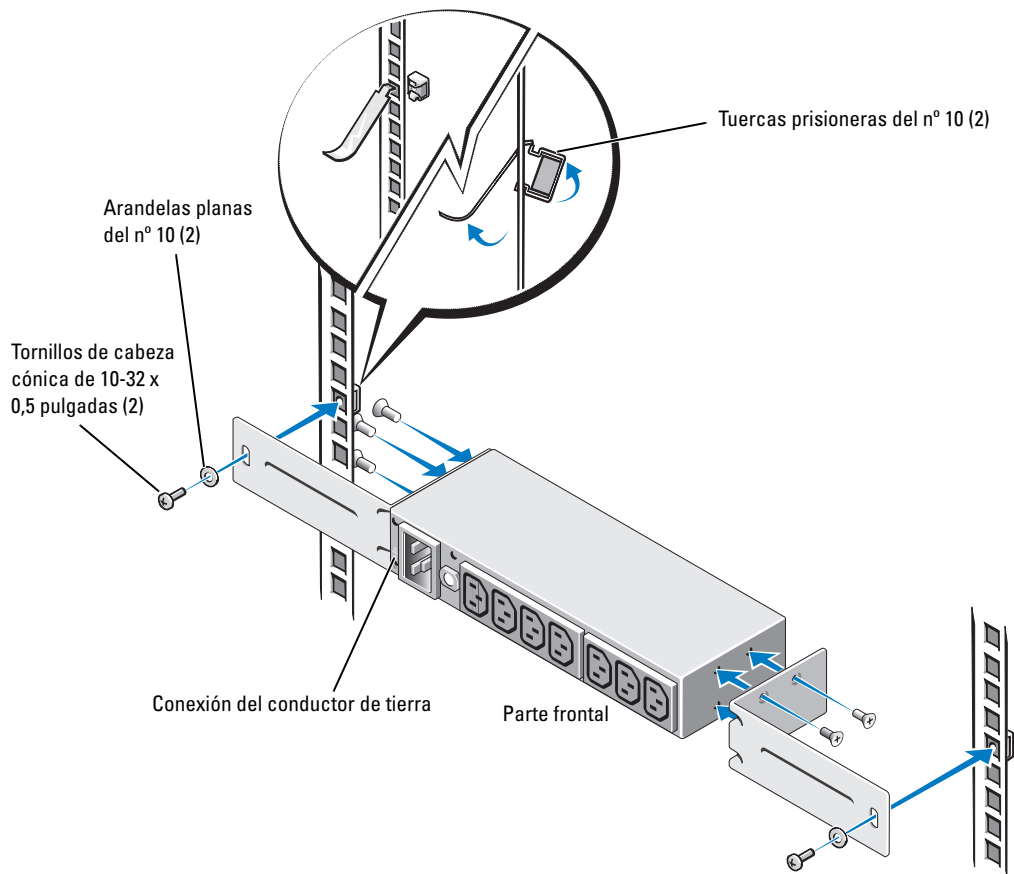
- 1 Abra las puertas frontal y posterior del armario rack.
- 2 Identifique y marque la ubicación de la PDU en la posición de una unidad (1 U) más baja en la que se pueda instalar o en la más cercana a los sistemas a los que suministrará alimentación.  
Asegúrese de que todos los cables de alimentación que va a conectar a la PDU lleguen hasta la ubicación que ha seleccionado para la PDU.
- 3 Extraiga el soporte de montaje 0 U de la carcasa de la PDU. Para ello, retire los seis tornillos de cabeza plana de 6-32 x 0,31 pulgadas de los extremos de la carcasa.  
Guarde estos tornillos para utilizarlos cuando vaya a fijar los soportes de montaje 1 U en el paso 4 (vea la figura 1-5).

**Figura 1-5. Extracción del soporte de montaje 0 U**




- 4 Fije los dos soportes de montaje 1 U a la carcasa de la PDU apretando bien los tornillos que ha quitado en el paso 3 (el valor del par de apriete es aproximadamente de 7 a 9 Ncm), como se muestra en la figura 1-6.
- 5 Coloque las tuercas prisioneras en los segundos orificios de la posición 1 U seleccionada en los rieles.
- 6 Coloque la PDU y fije la unidad a los rieles apretando bien los tornillos y las arandelas (el valor del par de apriete es aproximadamente de 14 a 18 Ncm), como se muestra en la figura 1-6.

**Figura 1-6. Instalación de la PDU (Posición horizontal 1 U)**




## Conexión del conductor de tierra


- 1 Conecte el conductor de tierra a la PDU introduciendo el tornillo de 10-32 x 0,5 pulgadas por el orificio del conductor de tierra y, luego, por la arandela elástica dentada. A continuación, fije el tornillo a la conexión del conductor de tierra de la parte frontal de la PDU (vea la figura 1-6).

 **NOTA:** utilice únicamente el orificio roscado de conexión a tierra de la PDU que está marcado con el símbolo de conexión a tierra. Este orificio se encuentra en el extremo de la PDU, junto al conector de entrada (vea la figura 1-6).


Fije el tornillo de modo que la arandela elástica dentada esté en contacto con el metal desnudo de la carcasa de la PDU.

 **NOTA:** el tornillo debe estar bien apretado para que la arandela elástica dentada esté en contacto con el metal desnudo a través de la pintura de la carcasa de la PDU (el valor del par de apriete es aproximadamente de 14 a 18 Ncm).

- 2 Conecte el extremo libre del conductor de tierra de la PDU al armazón del rack introduciendo el tornillo autorroscante por el orificio del conductor de tierra y, después, por la arandela elástica dentada (vea la figura 1-7).

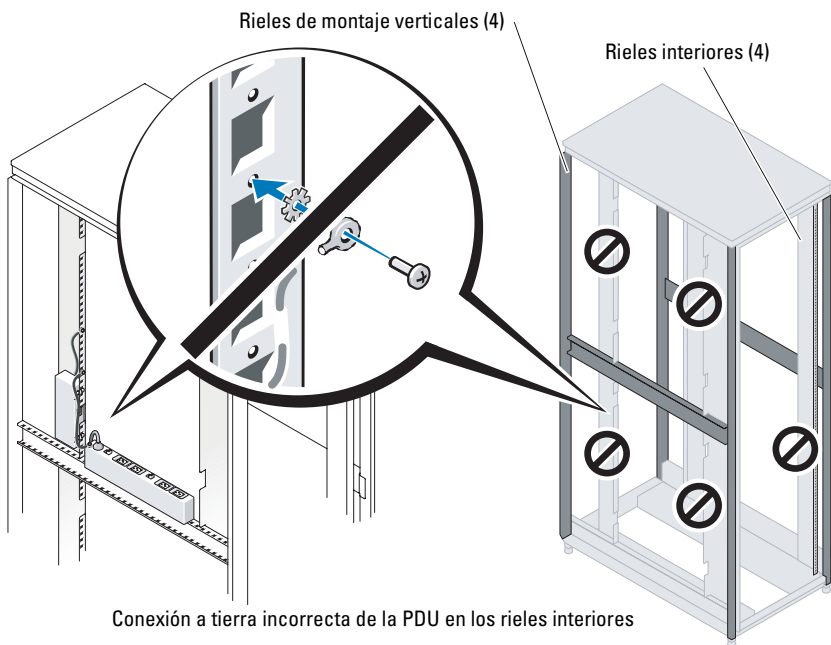
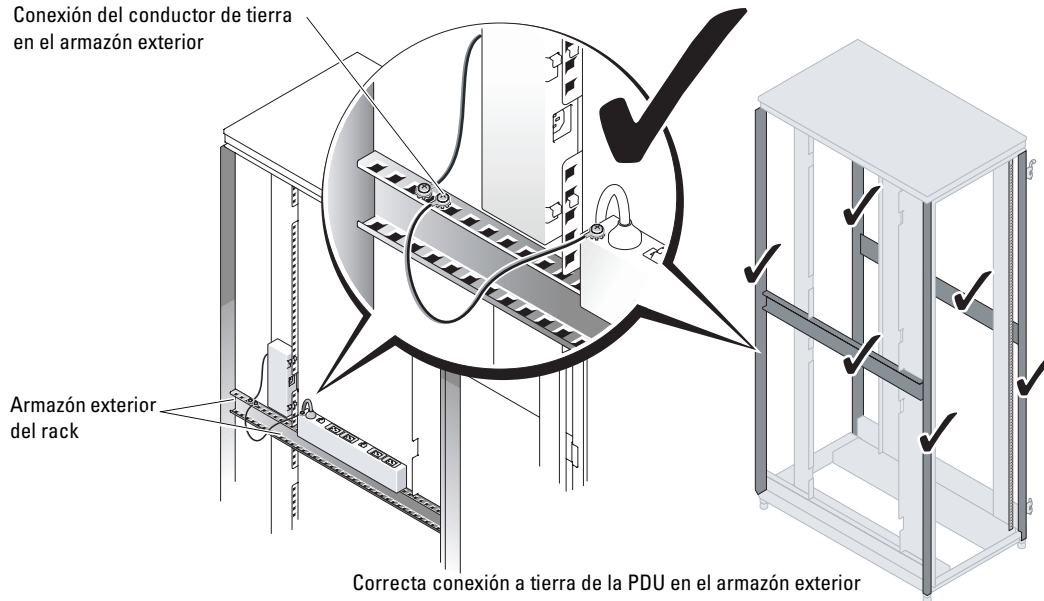
 **PRECAUCIÓN:** no intente utilizar ninguno de los cuatro postes interiores del rack como punto de fijación para conectar el conductor de tierra al rack. Al poner a tierra el cable en el rack, asegúrese de utilizar un punto de fijación que sea uno de los orificios situados únicamente en los montantes exteriores del armazón del rack, como se muestra en la figura 1-7.

Fije el tornillo autorroscante negro a uno de los orificios redondos del rack en el armazón del rack de modo que la arandela elástica dentada esté en contacto (el valor del par de apriete es aproximadamente de 27 a 34 Ncm) con el metal desnudo del rack (vea la figura 1-7).

 **NOTA:** el tornillo debe estar bien apretado (el valor del par de apriete es aproximadamente de 27 a 34 Ncm) para que la arandela elástica dentada esté en contacto con el metal desnudo a través de la pintura del riel vertical del rack.

### Figura 1-7. Conexión del conductor de tierra de la PDU en el armazón exterior

Conexión del conductor de tierra en el armazón exterior




## Cableado de las PDU

Los métodos utilizados para cablear los componentes del rack a una regleta de enchufes o a una PDU dependen de varios factores.


Para las regletas de enchufes de 10 y 12 A y para las PDU de 16 A, 24/32 A, trifásicas de 30 A y monofásicas de 60A, se proporcionan varios cables de alimentación de entrada y de salida con cada unidad de acuerdo con las especificaciones del país y la región. Cada regleta de enchufes o PDU se entrega con uno o dos cables de entrada específicos de la región y, en algunos casos, con una serie de cables de salida que cumplen el estándar IEC 60320 de diferentes longitudes, así como un cable adaptador de NEMA a IEC. Los cables de alimentación de entrada de las regletas de enchufes de 10 y 12 A y de las PDU de 16 A son extraíbles. Los cables de alimentación extraíbles se entregan con un soporte que se fija a la carcasa de la PDU para ayudar a sujetar el conector de alimentación de entrada a la PDU. El cable de alimentación de entrada para las PDU de 24/32 A, trifásicas de 30 A y monofásicas de 60 A es fijo.

Las PDU de 32 y 40 A utilizan conexiones de bloque de terminales que un electricista autorizado debe cablear a una fuente de CA principal. Para las PDU de 32 y 40 A, se suministran varios cables de alimentación de salida con cada unidad de acuerdo con las especificaciones de cada país y región. Con las PDU de 32 y 40 A no se suministra ningún cable de entrada ni conducto.

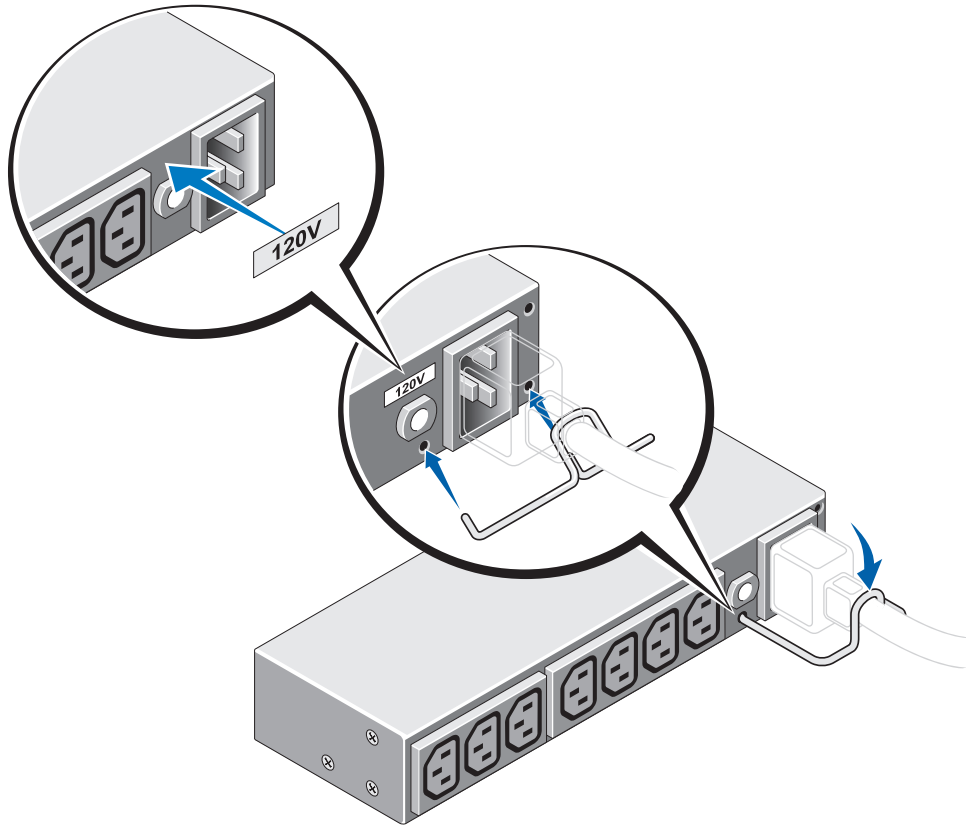
 **PRECAUCIÓN:** las PDU que se conectan directamente a una fuente de CA principal a través de conexiones de bloque de terminales debe instalarlas un electricista cualificado. Siga siempre las normativas y regulaciones de electricidad locales y nacionales correspondientes a su país o región.

### Conexión del cable de alimentación de entrada y fijación del soporte para regletas de enchufes de 10 y 12 A y PDU de 16 A

- 1 Conecte el cable de alimentación de entrada a la PDU.
- 2 Inserte los extremos del soporte en los dos orificios de ambos lados del conector de entrada y gire el soporte hasta que quede en contacto con el cable de alimentación (vea la figura 1-8).

 **NOTA:** para lograr una sujeción óptima del cable, aplique la misma presión a ambos lados del soporte del cable de alimentación hasta que se cierre firmemente alrededor del cable.

**Figura 1-8. Fijación del soporte del cable de alimentación**



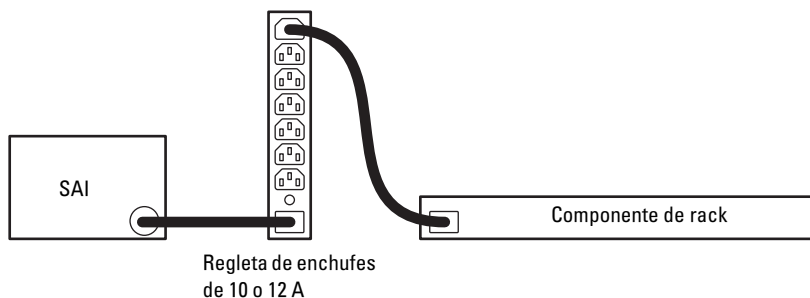
**NOTA:** Dell recomienda etiquetar los modelos de PDU y las regletas de enchufes con los voltajes correspondientes. Localice el paquete de etiquetas de voltaje (si viene incluido en el contenido del kit de rack) y seleccione la etiqueta correspondiente para adherirla al modelo adecuado. Vea la figura 1-2 para consultar el contenido del kit y la figura 1-8 para ver la orientación recomendada de la etiqueta.



### Cableado de las regletas de enchufes de 10 y 12 A

Las regletas de enchufes de 10 y 12 A se pueden utilizar como alargadores de alimentación desde un SAI (vea la figura 1-9).

**Figura 1-9. Cableado de las regletas de enchufes de 10 y 12 A desde un SAI**

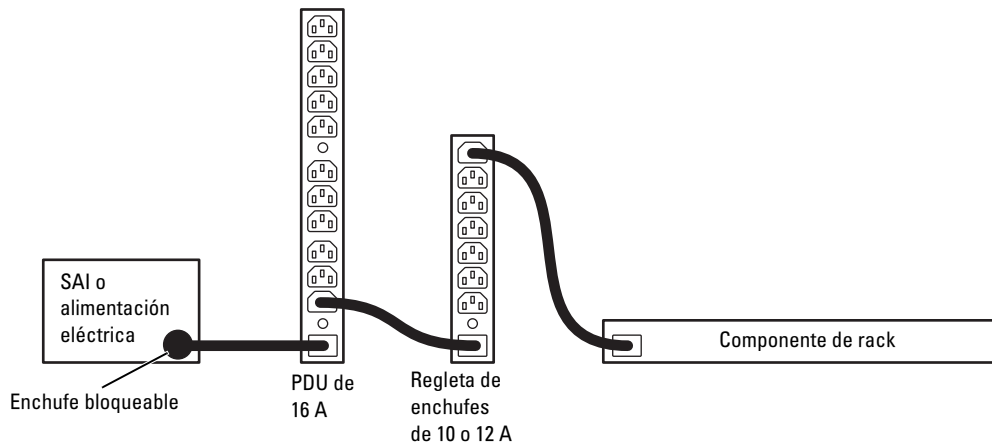


Las regletas de enchufes de 10 y 12 A también se pueden utilizar como alargadores de alimentación desde las PDU de 16 A, 24/32 A, 32 A y 40 A (vea la figura 1-10). En la tabla 1-1 se indica el número máximo de regletas de enchufes que pueden utilizarse con cada PDU.

**Tabla 1-1. Número máximo de regletas de enchufes por PDU**

Modelo de PDU	Corriente combinada máxima por PDU	Número máximo de regletas de enchufes de 10 A	Número máximo de regletas de enchufes de 12 A
PDU de 16 A	16 A	1	1
PDU de 24/32 A	24/32 A	2	2
PDU de 32 A	32 A	4	ND
PDU de 40 A	40 A	ND	4
PDU trifásica de 30 A	30 A	3	2
PDU monofásica de 60 A	60 A	3	3

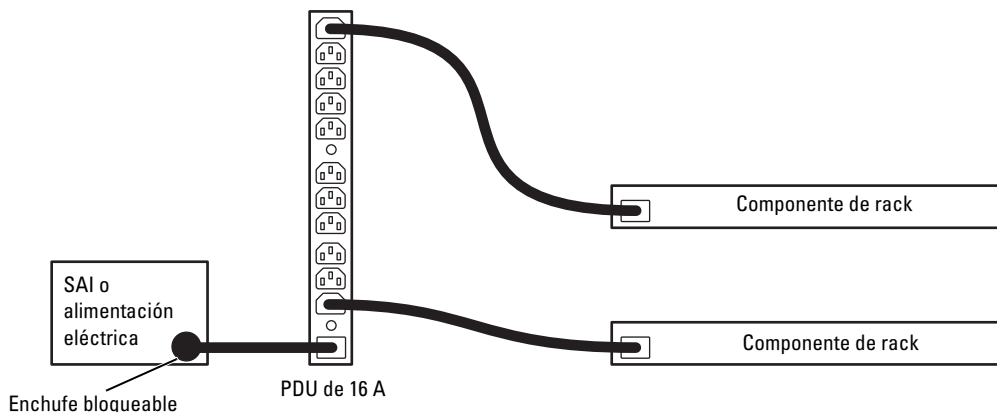
**Figura 1-10. Cableado de una regleta de enchufes de 10 o 12 A desde una PDU**



### Cableado de las PDU de 16 A

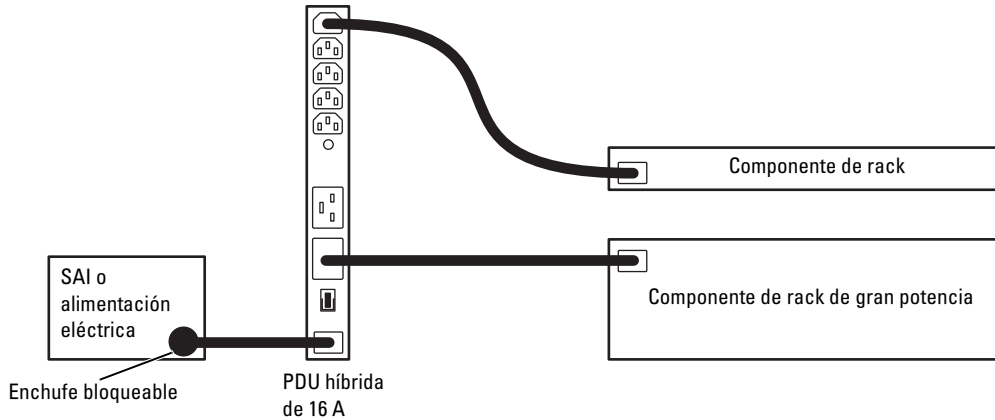
Las PDU de 16 A pueden utilizarse como alargadores de alimentación desde un SAI o desde la fuente de CA principal. El enchufe de entrada es de “bloqueo”, hecho que garantiza una conexión eléctrica segura con conexión a tierra. La PDU de 16 A tiene 13 conectores de salida IEC 60320 - C13 estándar que permiten implantar componentes de rack de gran potencia (vea la figura 1-11).

**Figura 1-11. Cableado de una PDU de 16 A desde un SAI o una fuente de CA**



Las PDU híbridas de 16 A pueden utilizarse como alargadores de alimentación desde un SAI o desde la fuente de CA principal. El enchufe de entrada es de “bloqueo”, hecho que garantiza una conexión eléctrica segura con conexión a tierra. Las PDU híbridas tienen siete conectores de salida IEC 60320 - C13 estándar y dos conectores de salida IEC 60320 - C19 que permiten implantar componentes de rack de gran potencia (vea la figura 1-12).

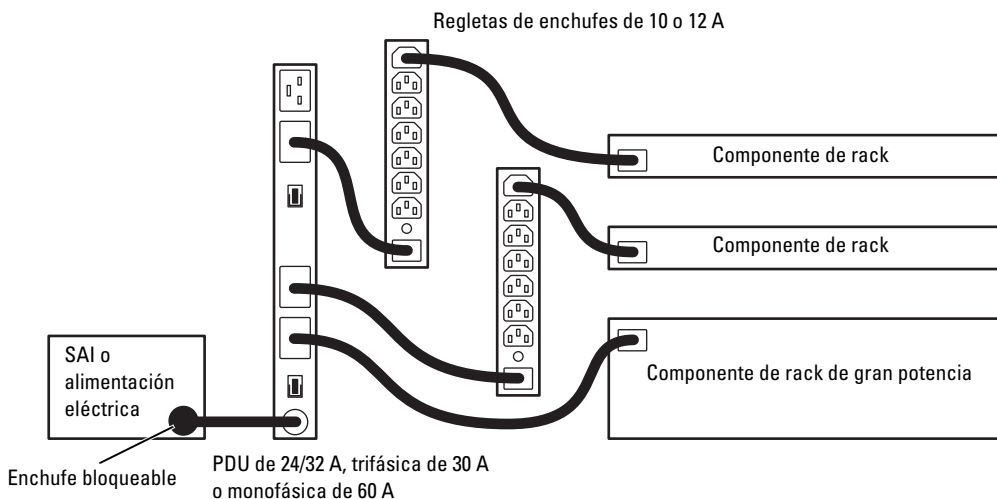
**Figura 1-12. Cableado de una PDU híbrida de 16 A desde un SAI o una fuente de CA**



### **Cableado de las PDU de 24/32 A, trifásicas de 30 A y monofásicas de 60 A**

Las PDU de 24/32 A pueden utilizarse como alargadores de alimentación desde un SAI o desde la fuente de CA principal. El enchufe de entrada es de “bloqueo”, hecho que garantiza una conexión eléctrica segura con conexión a tierra. Las PDU de 24/32 A tienen cuatro conectores de salida IEC 60320 - C19 que permiten implantar componentes de rack de gran potencia. Las PDU trifásicas de 30 A y monofásicas de 60 A tienen tres conectores de salida IEC 60320 - C19 que permiten implantar componentes de rack de gran potencia. Se pueden utilizar como alargadores de alimentación hasta dos regletas de enchufes de 12 A o hasta tres de 10 A desde una PDU de 24/32 A, una PDU trifásica de 30 A o una PDU monofásica de 60 A (vea la figura 1-13).

**Figura 1-13. Cableado de las PDU de 24/32 A, trifásicas de 30 A y monofásicas de 60 A desde un SAI o una fuente de CA**

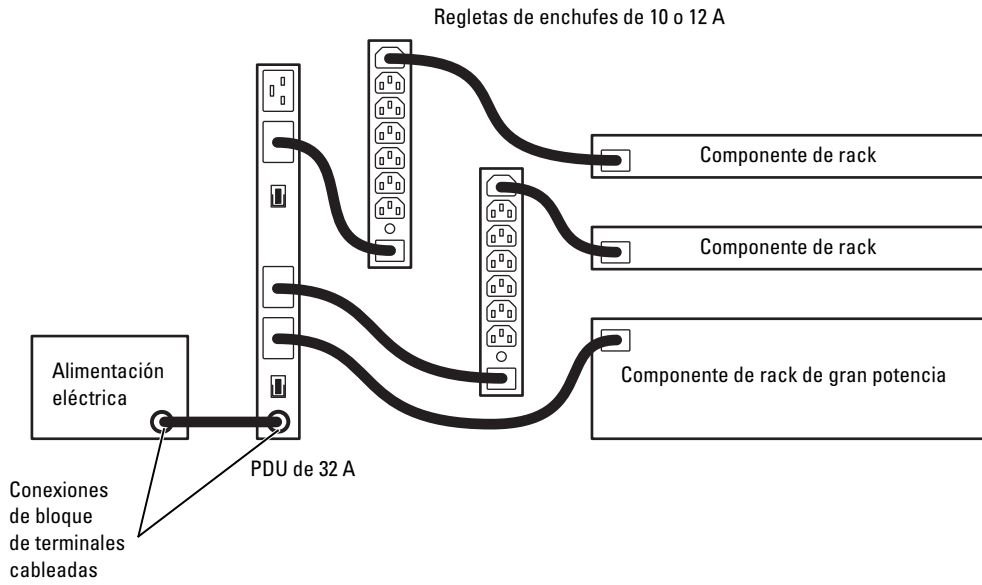


### Cableado de las PDU de 32 y 40 A

Las PDU de 32 y 40 A se pueden utilizar como alargadores de alimentación desde una fuente de CA principal. Las PDU de 32 y 40 A están cableadas a una fuente de CA principal mediante conexiones de bloque de terminales. Se pueden utilizar hasta cuatro regletas de enchufes de 10 A como alargadores de alimentación desde una PDU de 32 A, siempre que la corriente combinada total sea inferior a 32 A. Se pueden utilizar hasta cuatro regletas de enchufes de 12 A como alargadores de alimentación desde una PDU de 40 A, siempre que la corriente combinada total sea inferior a 32 A (vea la figura 1-14).

**⚠ PRECAUCIÓN:** las PDU que se conectan directamente a una fuente de CA principal a través de conexiones de bloque de terminales debe instalarlas un electricista cualificado. Siga siempre las normativas y regulaciones de electricidad locales y nacionales correspondientes a su país o región.

**Figura 1-14. Cableado de una PDU de 32 o 40 A desde una fuente de CA principal**



## Configuraciones y especificaciones técnicas de las PDU

**Tabla 1-2. Configuraciones de alimentación de las PDU**

<b>Modelo</b>	<b>Voltaje de entrada</b>	<b>Alimentación eléctrica máxima</b>	<b>Interruptor de circuito (cantidad)</b>
Regleta de enchufes NEMA de 12 A	100 V, 120 V	15 A	15 A (1)
Regleta de enchufes IEC de 10 A	230 V	10 A	10 A (1)
Regleta de enchufes IEC de 12 A	100 V, 120 V, 208 V	15 A	15 A (1)
PDU de 16 A	120 V, 208 V, 230 V	16 A	15 A (2)
PDU híbrida de 16 A	120 V, 208 V, 230 V	16 A	15 A (1), 20 A (1)
PDU de 24/32 A	120 V, 208 V	24 A	20 A (2)
	230 V	32 A	
PDU de 32 A	230 V	32 A	20 A (2)
PDU de 40 A	120 V, 208 V	40 A	20 A (2)
PDU trifásica de 30 A	208 V, 230 V	30 A	20 A (3)
PDU monofásica de 60 A	208 V, 230 V	60 A	20 A (3)

**Tabla 1-3. Configuraciones de los conectores de las PDU**

<b>Modelo</b>	<b>Conector de entrada</b>	<b>Conectores de salida (cantidad/ubicación)</b>
Regleta de enchufes NEMA de 12 A	IEC 60320 - C14	NEMA 5 - 15R (5 en la parte frontal)
Regleta de enchufes IEC de 10 A	IEC 60320 - C14	IEC 60309 - C13 (7 en la parte frontal, 1 en la parte posterior)
Regleta de enchufes IEC de 12 A	IEC 60320 - C14	IEC 60309 - C13 (7 en la parte frontal, 1 en la parte posterior)
PDU de 16 A	IEC 60320 - C20	IEC 60309 - C13 (11 en la parte frontal, 2 en la parte posterior)
PDU híbrida de 16 A	IEC 60320 - C20	IEC 60320 - C13 (5 en la parte frontal, 2 en la parte posterior) IEC 60320 - C19 (2 en la parte frontal)
PDU de 24/32 A	Fijo	IEC 60320 - C19 (4 en la parte frontal)
PDU de 32 A	Bloque de terminales	IEC 60320 - C19 (4 en la parte frontal)
PDU de 40 A	Bloque de terminales	IEC 60320 - C19 (4 en la parte frontal)
PDU trifásica de 30 A	Fijo	IEC 60320 - C19 (3 en la parte frontal)
PDU monofásica de 60 A	Fijo	IEC 60320 - C19 (3 en la parte frontal)

	Regletas de enchufes			PDU						
	NEMA de 12 A	IEC de 10 A	IEC de 12 A	16 A	Híbrida de 16 A	24/32 A	32 A	40 A	30 A trifásica	60 A monofásica
<b>Alimentación</b>										
Corriente máxima de entrada	15 A	10 A	15 A	20 A	20 A	24/32 A	32 A	40 A	30 A	60 A
Disipación de calor (nominal)	30 BTU/h (9 W)	30 BTU/h (9 W)	30 BTU/h (9 W)	45 BTU/h (13 W)	45 BTU/h (13 W)	45 BTU/h (13 W)	45 BTU/h (13 W)	45 BTU/h (13 W)	45 BTU/h (13 W)	45 BTU/h (13 W)
Voltaje de CA de entrada	100 V, 120 V	230 V	120 V, 208 V	100 V, 120 V, 200 V, 208 V, 230 V	100 V, 120 V, 200 V, 208 V, 230 V	120 V, 208 V, 230 V	230 V	120 V, 208 V	208 V, 230 V	208 V, 230 V
<b>Características físicas</b>										
Altura cm	23,98	23,98	23,98	38,81	38,81	43,82	43,82	43,82	38,81	38,81
Anchura cm	4,37	4,37	4,37	4,37	4,37	4,37	4,37	4,37	4,37	4,37
Profundidad cm	9,30	9,30	9,30	9,30	9,30	9,30	9,30	9,30	11,58	11,58
Peso kg	0,91	0,91	0,91	1,52	1,62	3,33	3,33	3,33	2,20	2,20
<b>Especificaciones ambientales</b>										
Temperatura:										
En funcionamiento	De 0 a 45 °C			De 0 a 45 °C						
En almacenamiento	De -25 a 65 °C			De -25 a 65 °C						
Humedad relativa	Del 0 al 95% (sin condensación)			Del 0 al 95% (sin condensación)						
Vibración máxima:										
En funcionamiento	0,5 G a 5-15 Hz durante 60 minutos			0,5 G a 5-15 Hz durante 60 minutos						
En almacenamiento	0,75 G a 5-15 Hz durante 60 minutos			0,75 G a 5-15 Hz durante 60 minutos						
Altitud:										
En funcionamiento	De 0 a 3 000 m			De 0 a 3 000 m						
En almacenamiento	De 0 a 15 000 m			De 0 a 15 000 m						



# Índice

## C

cablear

- PDU de 16 A, 128
- PDU de 24/32 A, 129
- PDU de 32 A, 130
- PDU de 40 A, 130

cablear PDU, 125

componentes del kit, 116

## H

herramientas

- recomendadas, 117

## I

instalar

- posición 0 U, 118
- posición 1 U, 121

instrucciones de seguridad

- precauciones generales, 113
- productos montables  
en rack, 115

## M

modelos de PDU, 115

- 10 A, 115
- 16 A, 115
- 24/32 A, 115
- 32 A, 115

modelos de PDU

(*continuación*)

- 40 A, 115
- híbrida de 16 A, 115
- IEC de 12 A, 115
- monofásica de 60 A, 115
- NEMA de 12 A, 115
- trifásica de 30 A, 115

## P

PDU

- definición, 113

## R

recomendadas,

- herramientas, 117

regleta de enchufes

- definición, 113

## S

soporte de retención del cable

- de alimentación
- de entrada
- fijar, 125

## T

tareas de instalación, 117

